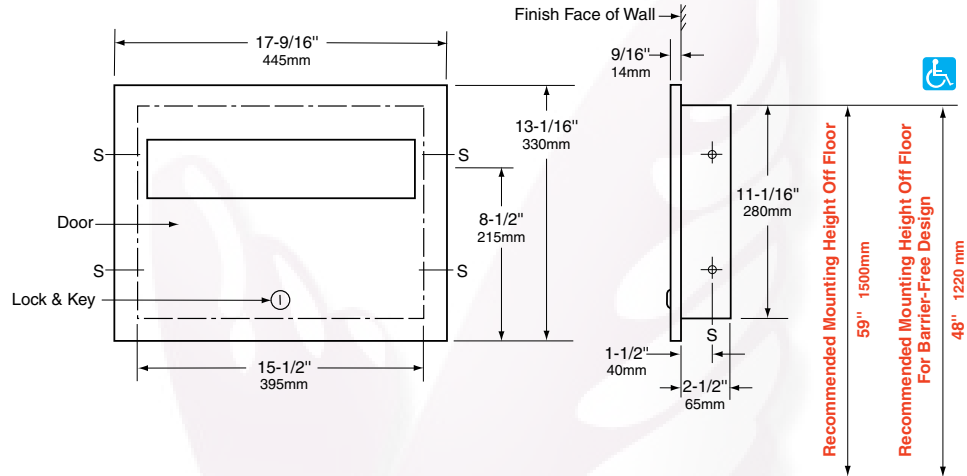




Technical Data

# RECESSED TOILET-SEAT-COVER DISPENSER

# B-3013



**Rough Wall Opening**  
 15-7/8" (405mm) wide  
 11-7/16" (290mm) high  
 2-3/4" (70mm) minimum  
 recessed depth

### MATERIALS:

**Cabinet** — 18-8 S, type-304, heavy-gauge stainless steel. All-welded construction.

**Door** — 18-8 S, type-304, 18-gauge (1.2mm) stainless steel with satin finish. 9/16" (14mm) 90° return for maximum rigidity. Secured to cabinet with a concealed, full-length stainless steel piano-hinge. Equipped with a tumbler lock keyed like other Bobrick washroom accessories.

### OPERATION:

Dispenses single- or half-fold paper toilet seat covers. To fill dispenser, door unlocks with key provided. Capacity: 500 toilet seat covers.

### INSTALLATION:

Provide framed rough wall opening 15-7/8" wide x 11-7/16" high (405 x 290mm). Minimum recessed depth required from finish face of wall is 2-3/4" (70mm). Allow clearance for construction features that may protrude into rough wall opening from opposite wall. Coordinate with mechanical engineer to avoid pipes, vents, and conduits in wall. Mount cabinet with shims between framing and cabinet at all points indicated by an S, then secure unit with four #8 x 1-1/4" (4.2 x 32mm) sheet-metal screws (not furnished).

### SPECIFICATION:

Recessed toilet-seat-cover dispenser shall be type-304 stainless steel with all-welded construction; exposed surfaces shall have satin finish. Door shall be 18 gauge (1.2mm); have 9/16" (14mm) 90° return edges; be secured to cabinet with a concealed, full-length stainless steel piano-hinge; and equipped with a tumbler lock keyed like other Bobrick washroom accessories. Dispenser shall have a minimum capacity of 500 paper toilet seat covers. Manufacturer's service and parts manual shall be provided to the building owner/manager upon request.

**Recessed Toilet-Seat-Cover Dispenser shall be Model B-3013 of Bobrick Washroom Equipment, Inc., Clifton Park, New York; Jackson, Tennessee; Los Angeles, California; Bobrick Washroom Equipment Company, Scarborough, Ontario; Bobrick Washroom Equipment Pty. Ltd., Australia; and Bobrick Washroom Equipment Limited, United Kingdom.**