

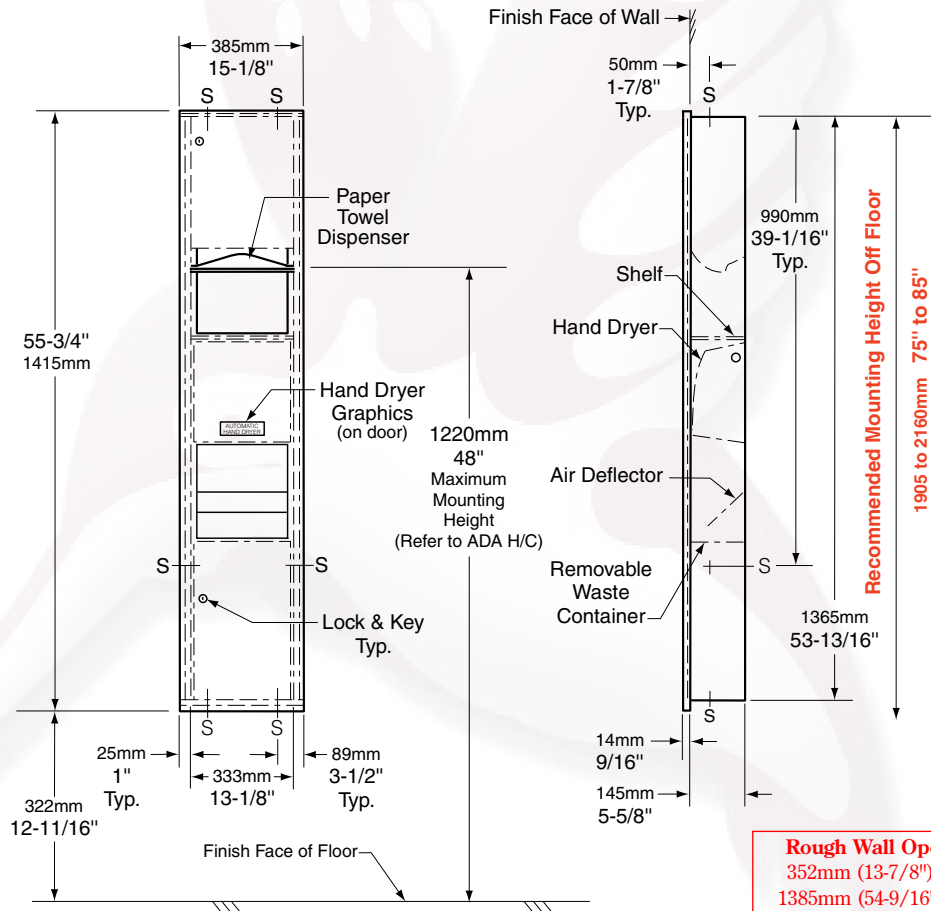
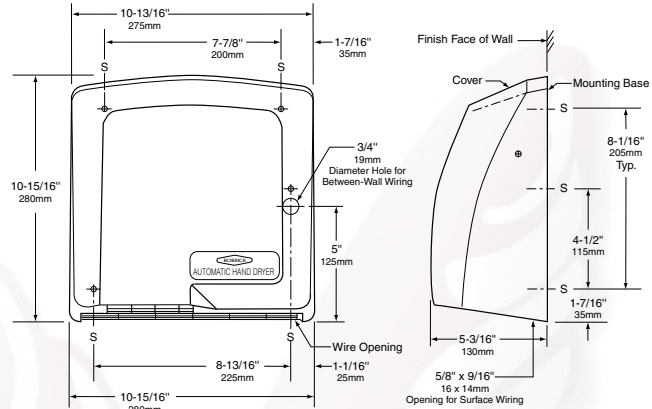


# Technical Data

## TrimLineSeries™ RECESSED PAPER TOWEL DISPENSER, AUTOMATIC HAND DRYER, AND WASTE RECEPTACLE (3-IN-1 UNIT)

# B-38033

**Automatic Hand Dryer: 220-240V AC,  
7 Amp, 1500-1700 Watts, 50/60 Hz,  
Single Phase, VDE approved, CE marked  
and CCC approved.**



**Rough Wall Opening**  
352mm (13-7/8") wide  
1385mm (54-9/16") high  
145mm (5-3/4") minimum  
recessed depth

### MATERIALS:

**Cabinet** — 18-8 S, type-304, heavy-gauge stainless steel. All-welded construction.

**Door** — 18-8 S, type-304, 1.2mm (18-gauge) stainless steel. 14mm (9/16") 90° return for maximum rigidity. Secured to cabinet with a concealed, full-length stainless steel piano-hinge. Equipped with a stainless steel cable door-swing limiter and two tumbler locks keyed like other Bobrick washroom accessories.

**Paper Towel Dispenser** — 18-8 S, type-304, 0.8mm (22-gauge) stainless steel. Rounded towel tray has hemmed opening to dispense paper towel without tearing. Capacity: 450 C-fold, 600 multifold, or 850 singlefold paper towels.

**Waste Container** — Leak-proof rigid molded plastic. Removable for servicing. Capacity: 12.5 liters (3.3 gal.).

**Air Deflector** — 18-8 S, type-304, .46mm (22-gauge) stainless steel.

continued ...

## Dryer:

**Cover** — One-piece, 2.6mm (3/32") thick, fire-retardant molded, Bobrick grey color #889. VDE approved. Universal operating symbols on front of cover. Cover is secured to mounting base with three flat-head stainless screws.

**Mounting Base and Fan Housing** — 2.0mm (5/64") thick, fire-retardant molded plastic with high-gloss grey finish. VDE approved. Air-inlet grille fits into bottom of mounting base. Air-outlet grille is secured between fan housing and mounting base.

**Motor** — 220 - 240 AC, 90 W, 50/60 Hz, 3300 rpm. Brushless, external rotor motor. Sealed ball bearings at both ends of drive shaft; maintenance free. Equipped with an automatic thermal-overload switch.

**Fan** — Dynamically balanced, 133mm (5-15/64") diameter, centrifugal fan with multiple metallic vanes. Directs air flow from heating element at 90 cfm, mixes air to provide uniform temperature.

**Heating Element** — Coiled nickel-chrome heating element is protected by an automatic thermal-overload switch. Heating element, which is located on inlet side of fan, heats air without hot spots — inaccessible to vandals.

**Electronic Control** — Infrared sensor automatically turns dryer on when hands are held under air-outlet opening and across path of sensor. Remove hands from path of sensor and dryer stops. Electronic sensor has automatic shutoff approximately two minutes after dryer turns on if inanimate object, such as tape or chewing gum, is placed across sensor lens. After inanimate object is removed, electronic sensor automatically resets itself and dryer operates normally.

## OPERATION:

Paper towel dispenser is adjustable to dispense C-fold, multifold, or singlefold paper towels without use of additional adapters or towel trays. To service waste receptacle, unlock door with key provided and remove waste container. Cable door-swing limiter prevents damage to washroom accessories and walls.

Dryer has no-touch operation. Electronic sensor automatically turns dryer on when hands are held under air-outlet opening and across path of sensor. Remove hands from path of sensor and dryer stops. Dryer will not stop by itself before user is satisfied hands are dry. Dryer operates only when actually drying hands, which saves energy and operating costs. Electronic sensor will automatically shut dryer off two minutes after dryer turns on if inanimate object is placed across sensor lens. After inanimate object is removed, electronic sensor automatically resets itself and dryer operates normally.

**1-Year Limited Warranty** — This warranty is limited to the repair or exchange of defective dryer parts at the option of Bobrick. See Installation Instruction Sheet, Form No. 710E-69, for full details.

## INSTALLATION:

Provide framed rough wall opening 352mm wide x 1385mm high (13-7/8" x 54-9/16"). Minimum recessed depth required from finish face of wall is 145mm (5-3/4"). Allow clearance for construction features that may protrude into rough wall opening from opposite wall. Coordinate with mechanical engineer to avoid pipes, vents, and conduits. If unit projects above top of wainscot, provide aluminum channel or other filler to eliminate gap between flange and finish face of wall. Mount unit in wall opening with shims between framing and cabinet at all points indicated by an S, then secure unit with screws furnished by manufacturer.

### Dryer Wiring Instructions:

Connect the 230-volt wires as follows. The neutral wire should be connected to the terminal marked *N*. The live wire should be connected to the terminal marked *L*.

**Notes:** Electronic sensor in dryer will pick up movement within 100mm (4") of air-outlet nozzle. Use caution when choosing location for dryer in confined areas. Consider proximity to doorways and other traffic areas.

For installation instructions that include step-by-step installation procedures and details of electrical service connections, see Form No. 710E-69, which is packed with each shipment. This form is also available in advance upon request.

## SPECIFICATION:

Recessed paper towel dispenser and waste receptacle shall be type-304 stainless steel with all-welded construction; exposed surfaces shall have satin finish. Door shall be 1.2mm (18 gauge); have 14mm (9/16") 90° return edges; be secured to cabinet with a concealed, full-length stainless steel piano-hinge; and equipped with a stainless steel cable door-swing limiter and two tumbler locks keyed like other Bobrick washroom accessories. Paper towel dispenser shall be capable of dispensing 450 C-fold, 600 multifold, or 850 singlefold paper towels. Waste receptacle shall be furnished with a removable, leak-proof, rigid molded plastic waste-container with a capacity of 12.5 liters. (3.3 gal.). Air deflector shall prevent dryer from blowing into waste container.

Hand dryer shall have a one-piece, fire-retardant molded, Bobrick grey color #889. Mounting base and fan housing shall be fire-retardant molded plastic with high-gloss grey finish. Brushless motor shall be 90 watts, external rotor type with sealed ball bearings on ends of drive shaft and equipped with an automatic thermal-overload switch. Centrifugal fan shall have multiple metallic vanes. Heating element shall be located on inlet side of fan, shall heat without hot spots, be inaccessible to vandals, and protected by an automatic thermal-overload switch. Electronic sensor shall automatically turn dryer on when hands are held under air-outlet opening and across path of sensor. Dryer will turn off automatically when hands are removed. Sensor shall automatically shut dryer off approximately two minutes after dryer turns on if inanimate object is placed across sensor lens. After inanimate object is removed, electronic sensor shall automatically reset itself and dryer shall operate normally. Unit shall be VDE approved, CE marked and CCC approved and protected by a limited 1-year warranty on all parts. Manufacturer's service and parts manual shall be provided to the building owner/manager upon request.

**Recessed Paper Towel Dispenser, Automatic Hand Dryer, And Waste Receptacle shall be Model B-38033 of Bobrick Washroom Equipment, Inc., Clifton Park, New York; Jackson, Tennessee; Los Angeles, California; Bobrick Washroom Company, Scarborough, Ontario; Bobrick Washroom Equipment Pty. Ltd., Australia; and Bobrick Washroom Equipment Limited, United Kingdom.**