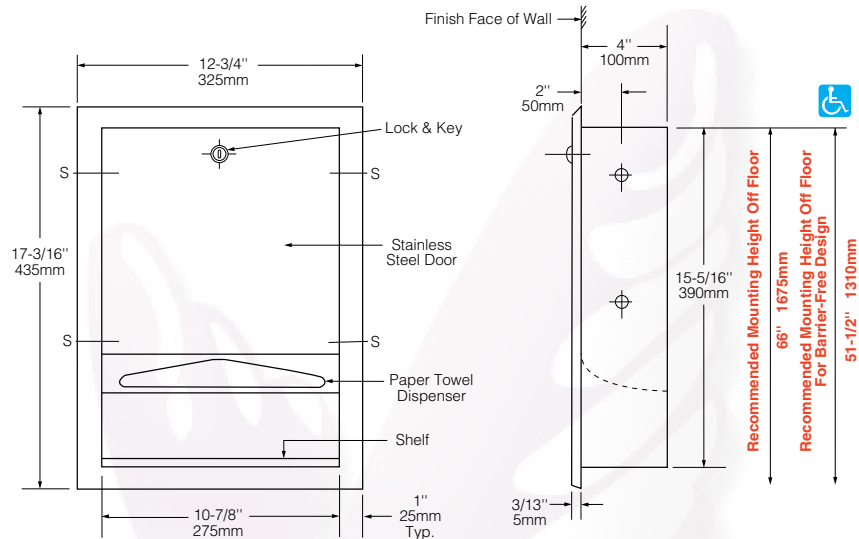




Technical Data

RECESSED PAPER TOWEL DISPENSER

B-359



Rough Wall Opening
 11-1/4" (285mm) wide
 15-5/8" (395mm) high
 4" (102mm) minimum
 recessed depth

MATERIALS:

Cabinet — 18-8 S, type-304, heavy-gauge stainless steel. All-welded construction. Exposed surfaces have satin finish.

Flange — 18-8 S, type-304, 22-gauge (0.8mm) stainless steel with satin finish. Drawn, one-piece, seamless construction.

Door — 18-8 S, type-304, 22-gauge (0.8mm) stainless steel with satin finish. Double-pan-back construction is warp-resistant. Secured to cabinet with a welded, full-length stainless steel piano-hinge. Equipped with a stainless steel cable door-swing limiter and tumbler lock keyed like other Bobrick washroom accessories.

Paper Towel Dispenser — 18-8 S, type-304, 22-gauge (0.8mm) stainless steel. Dispenses C-fold or multifold paper towels. Capacity: 350 C-fold or 475 multifold paper towels.

Shelf — 18-8 S, type-304, 22-gauge (0.8mm) stainless steel with satin finish.

OPERATION:

Paper towel dispenser will dispense C-fold or multifold paper towels without adjustment or use of adapters.

INSTALLATION:

Provide framed rough wall opening 11-1/4" wide x 15-5/8" high (285 x 395mm). Minimum recessed depth required to finish face of wall is 4" (102mm). Allow clearance for construction features that may protrude into rough wall opening from opposite wall. Coordinate with mechanical engineer to avoid pipes, vents, and conduits in wall. Mount unit in wall opening with shims between framing and cabinet at all points indicated by an S, then secure unit with #8 x 1-1/4" (M4.2 x 32mm) sheet-metal screws (not furnished by manufacturer).

SPECIFICATION:

Recessed paper towel dispenser shall be type-304 stainless steel with all-welded construction; exposed surfaces have satin finish. Flange shall be drawn, one-piece, seamless construction. Door shall be secured to cabinet with a welded, full-length, stainless steel piano-hinge and equipped with a stainless steel cable door-swing limiter and tumbler lock keyed like other Bobrick washroom accessories. Shelf shall be stainless steel with satin finish. Paper towel dispenser shall dispense 350 C-fold or 475 multifold paper towels without additional adapters or trays. Manufacturer's service and parts manual shall be provided to the building owner/manager upon request.

Recessed Paper Towel Dispenser shall be Model B-359 of Bobrick Washroom Equipment, Inc., Clifton Park, New York; Jackson, Tennessee; Los Angeles, California; Bobrick Washroom Equipment Company, Scarborough, Ontario; Bobrick Washroom Equipment Pty., Australia; and Bobrick Washroom Equipment Limited, United Kingdom.