

► Code Number

4024630

► Description

Act-O-Matic®, Chrome Plated, Self-cleaning, Institutional Security Style Shower Head. Access behind the wall required for installation.

► Flow Rate

2.0 gpm (7.5 Lpm) Maximum

► Specifications

Act-O-Matic, Chrome Plated Shower Head with the following features:

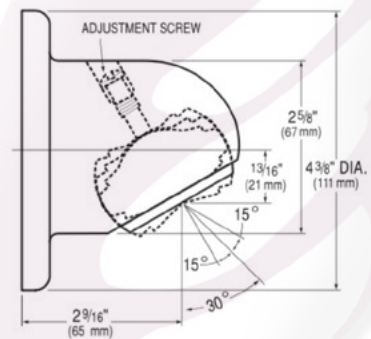
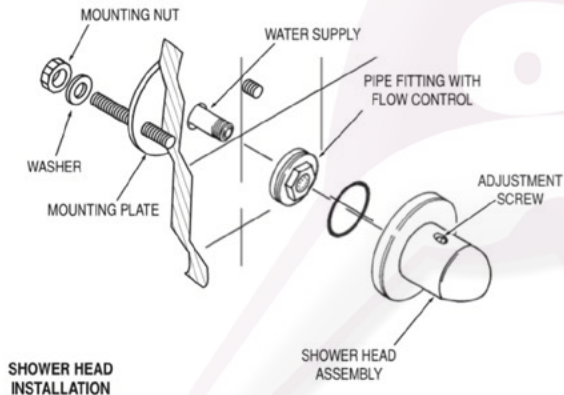
- Spring loaded, self-cleaning spray disc to prevent particle clogging
- "Cone-within-a-cone" Spray Pattern for total body coverage
- Adjustable spray angle with pressure compensating 2.0 gpm (7.5 Lpm) flow control
- All Brass Construction
- Mounting Plate with Vandal Resistant Mounting Screws
- 1/2" IPS inlet

Shower Head shall be in conformance to all requirements of ANSI/ASME Standard A112.18.1M, CSA B-125 and the United States Federal Energy Policy Act.

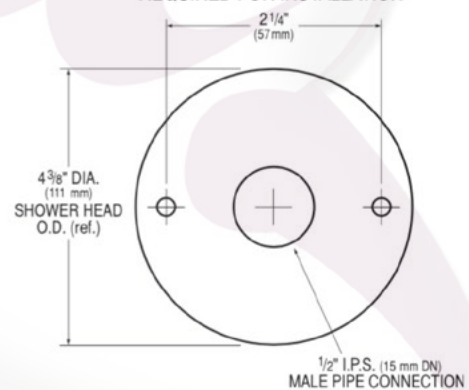
► Accessories (Sold Separately)

See Accessories Section of the Sloan catalog for available accessories

► TYPICAL INSTALLATION



ACCESS BEHIND THE WALL
REQUIRED FOR INSTALLATION



► Compliance & Certifications



Made In The
USA

