

► Code Number

4024500

► Description

Act-O-Matic®, Chrome Plated, Self-cleaning, Institutional Style Shower Head.

► Flow Rate

- 2.5 gpm/9.4 Lpm maximum

► Specifications

Act-O-Matic, Chrome Plated Shower Head with the following features:

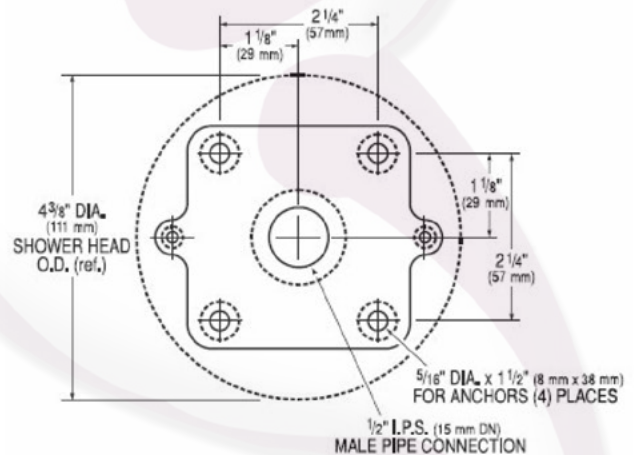
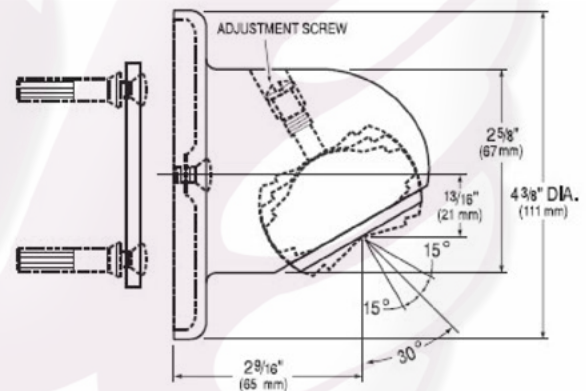
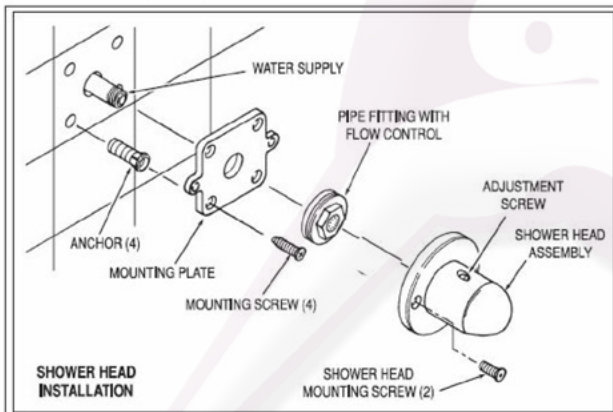
- Spring loaded, self-cleaning spray disc to prevent particle clogging
- "Cone-within-a-cone" Spray Pattern for total body coverage
- Adjustable spray angle with pressure compensating 2.5 gpm (9.4 Lpm) flow control
- All Brass Construction
- Mounting Plate with Vandal Resistant Mounting Screws
- Fast drain feature to prevent residual slow dripping
- 1/2" IPS inlet

Shower Head shall be in conformance to all requirements of ANSI/ASME Standard A112.18.1M, CSA B-125 and the United States Federal Energy Policy Act.

► Accessories (Sold Separately)

See Accessories Section of the Sloan catalog for available accessories

► TYPICAL INSTALLATION



► Compliance & Certifications



Made In The  
**USA**