

► Code Number

3400101

► Description

Concealed, sensor-activated, hardwired or battery-powered, piston type, rough brass, true flushometer for top inlet or rear inlet, wall hung or floor mount, wash down or siphon jet toilets. Includes ability to power via hardwire.

► Flush Cycle

1.28 gpf/4.8 Lpf

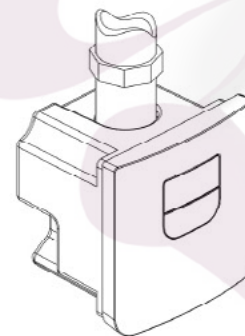
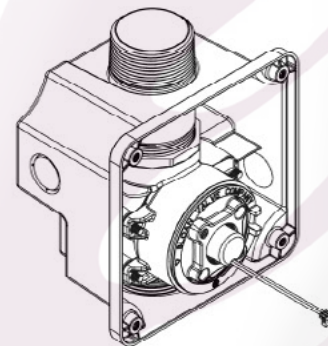
► Specifications

Quiet, concealed piston type sensor-activated, battery-powered (or hardwired) flushometer with the following features:

- Piston color-coded by flush volume for easy identification
- High Efficiency flush volume for water conservation
- Chrome-plated, corrosion-resistant, vandal resistant wall plate
- Self-adaptive Infrared Sensor with Lobular Sensing Fields for accurate target detection
- Latching Solenoid Operator
- Electronic Courtesy Flush® Override Button
- "Low Battery" Flashing LED
- Ability to hardwire with battery backup
- Initial target detection Indicator Light (first 10 minutes)
- Flood prevention feature limits flow to a trickle in wide open position
- Heavy duty brass valve body
- Safety collar locks activation assembly to prevent access of internal components without shutting off water
- Replaceable piston assembly, accessible by removing front wall plate
- Concealed shut off sleeve adjusts flow rate
- Operating pressure 10-100 psi (0.7-7 bars)
- 1-1/2" NPT (female) Inlet standard
- 1-1/2" NPSM Outlet standard
- Four (4) Size AA Batteries included
- Fixed Volume Piston with Filtered O-ring Bypass

► Variations

- M = Zinc die cast wall plate TRF 8156-1.28-M (3400106)
- Inlet adaptor variations
 - Specify 1.25" (31.75 mm), 1" (25.4 mm) or .75" (19.1 mm)
 - Available with NPT or BSP-G threads
- Various flush connection pipe sizes available- consult local Sloan rep or factory
- Vacuum breaker- (specify tube length)- required for ASSE 1037 compliance



Wall plate dimensions 6" x 6" (152 mm x 152 mm)

► Automatic Operation

The self-adaptive infrared sensor sets the flushing mechanism when the user is detected and completes the flush when the user steps away.

► Hygienic

Touchless, sensor activation eliminates the need for user contact to help control the spread of infectious diseases.

► Compliance & Certifications



Made In The
USA

► Electrical Specifications

- 6 VDC Input - 4 AA Alkaline Batteries
- 6 VAC/9 VDC Input Hardwired Input - Transformer
- 8 second arming delay
- 3 Second Flush Delay

► Battery Type

(4) AA Alkaline

► Battery Life

3 Years @ 4,000 flushes/month

► Transformers for Hardwire (Sold Separately)

- Sloan Part # EL-386 (Plug-in) 120 VAC Input/ 6 VAC Output, 50/60 Hz (3 VA)
- Sloan Part # EL-451 (Box Mount) 120 VAC Input/ 6 VAC output, 50/60 Hz (25 VA)
- Consult factory for 220/230 VAC Transformer Options

► Sensor Range

- Self-Adaptive Sensor - Maximum 32" (813 mm) Distance

► Indicator Lights

- Range Adjustment (first 10 minutes)
- Low Battery Warning

► Valve Operating Pressure (Flowing)

10-100 psi (0.7-7.0 bars)

► OPERATION



1. A continuous, invisible light beam is emitted from the sensor.



2. As the user enters the beam's effective range, 22" - 31" (559 mm - 787 mm), the beam is reflected into the Scanner Window to activate the Output Circuit. Once activated, the Output Circuit continues in a "hold" mode for as long as the user remains within the effective range of the sensor.



3. When the user steps away from the sensor, the circuit waits 3 seconds (to prevent false flushing) then initiates an electrical signal that operates the Solenoid. This initiates the flushing cycle to flush the fixture. The Circuit then automatically resets and is ready for the next user.

► ROUGH-IN

