

### ► Code Number

3366030

### ► Specifications

- Model EHD-401 110/120 VAC, 20 Amp, 60 Hz
- Maintenance free brushless motor with self-lubricating bearings, capacitor initiated for quick starts
- Infrared Optical Sensor with ninety (90) second lockout feature
- Air delivery of approximately 180 CFM at an outlet temperature of 145°F/63°C at a 72°F/22°C ambient room temperature
- Decibel Rating of 70 dB
- Heating element constructed of Nichrome wire and protected by an automatic resetting thermostat
- Vandal resistant metal protective grill to prevent the entry of foreign objects into the blower housing
- One piece heavy-duty rib reinforced die cast zinc alloy housing
- Bright chrome plate or chip-proof electrostatically-applied epoxy finish
- Tamper-proof cover fasteners are included

### ► Colors

- White
- Chrome Plate

### ► Electrical Requirements

- Install electrical line in the location shown in the Wiring Diagram below.
- Electrical Connection Specifications
- Connect 110/120 VAC dryer to not more than a 20 Amp branch circuit using #12 gauge or larger wire, and a 208/230/277 VAC dryer to not more than a 15 Amp branch circuit using #14 gauge or larger wire. DO NOT attach any other electrical devices to this branch circuit.
- Important: ALL ELECTRICAL WIRING SHOULD BE INSTALLED IN ACCORDANCE WITH NATIONAL/LOCAL CODES AND REGULATIONS.

### ► Sensor Activated

Sloan OPTIMA® EHD-401, EHD-402 and EHD-404 Sensor Activated Electronic Hand Dryers operate by means of an Infrared Optical Sensor. Once the user enters the sensor's effective range, the Hand Dryer activates for as long as the users hands are under the air outlet. The Hand Dryer will operate up to ninety (90) seconds of continuous operation.



### ► Hygienic

Offers the ultimate in sanitary protection — there are no handles to turn or buttons to push. Helps control the spread of infectious diseases.

### ► Installation Precautions

Mounting surface should be smooth and flat.

Mount dryer at least 24 inches (610 mm) away from basins and at least 20 inches (508 mm) away from corners.

Mount multiple hand dryers a minimum separation distance of 20 inches (508 mm) (measured center to center).

Avoid installing hand dryers in narrow hallways and behind swinging doors.

### ► Economical

Automatic operation provides energy savings. Reduces maintenance and operating costs. Designed for quick and easy installation.

### ► Compliance & Certifications



### ► OPERATION



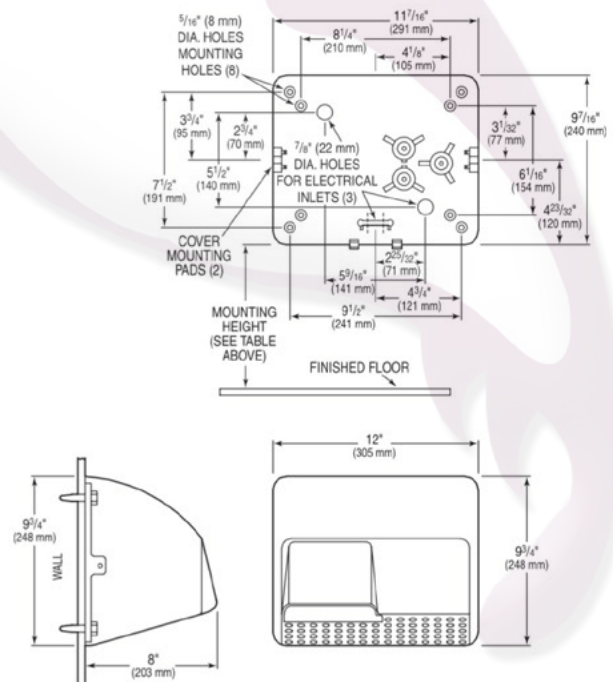
When the Infrared Sensor detects hands beneath the exhaust port, it activates the Hand Dryer. A powerful flow of warm air dries hands within thirty (30) seconds.



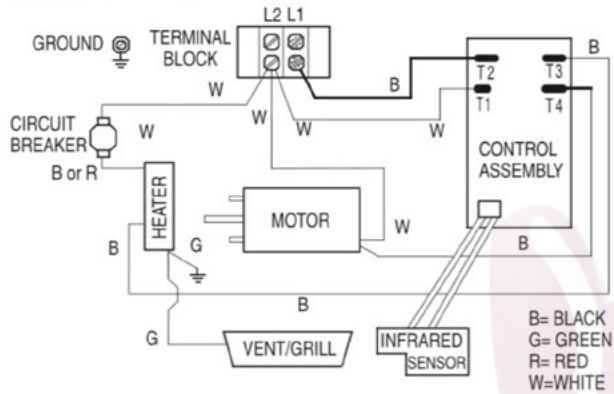
After hands are withdrawn from the Sensor's detection zone, or after a maximum of ninety (90) seconds of continuous operation, the Hand Dryer automatically stops. It is then ready for the next user.

### ► WIRING DIAGRAM

### ► ROUGH-IN



Model EHD-401 — 110/120 VAC  
Model EHD-402 — 208/230 VAC



Model EHD-404 — 277 VAC

