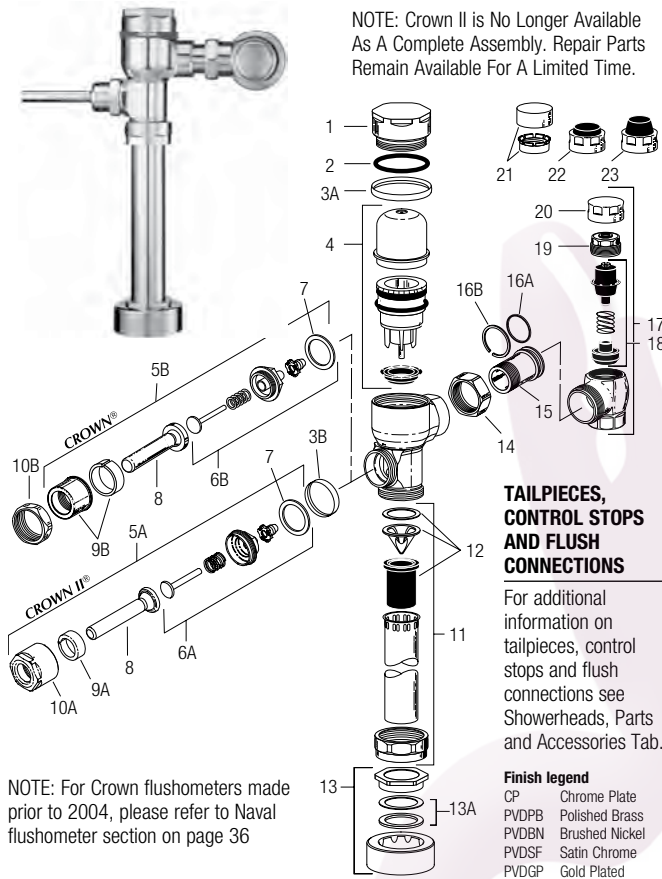


Crown® Flushometer

Crown® II (Obsolete)



NOTE: Crown II is No Longer Available As A Complete Assembly. Repair Parts Remain Available For A Limited Time.

TAILPIECES, CONTROL STOPS AND FLUSH CONNECTIONS

For additional information on tailpieces, control stops and flush connections see Showerheads, Parts and Accessories Tab.

Finish legend

CP	Chrome Plate
PVDPB	Polished Brass
PVDBN	Brushed Nickel
PVDSF	Satin Chrome
PVDGP	Gold Plated

NOTE: For Crown flushometers made prior to 2004, please refer to Naval flushometer section on page 36

PARTS LIST

Item No.	Code No.	Part No.	Description
1.	0332006	CR-116	CP Cover
2.	0332030	CR-133	Cover O-ring
3.	0332045	CR-132-A	CP Handle and Cover Trim Ring Kit (Includes items 3A & 3B) (CROWN® II ONLY)
	0332046	CR-132-A	PVDPB Handle and Cover Trim Ring Kit (Includes items 3A & 3B) (CROWN® II ONLY)
	0332048	CR-132-A	PVDBN Handle and Cover Trim Ring Kit (Includes items 3A & 3B) (CROWN® II ONLY)
	0332049	CR-132-A	PVDSF Handle and Cover Trim Ring Kit (Includes items 3A & 3B) (CROWN® II ONLY)
3A.	0332035	CR-134	Cover Trim Ring (CROWN® ONLY)
	0332009	CR-120	PVDPB Cover Trim Ring (CROWN® II ONLY)
	0332032	CR-120	PVDGP Cover Trim Ring (CROWN® II ONLY)
	0332033	CR-120	PVDBN Cover Trim Ring (CROWN® II ONLY)
	0332034	CR-120	PVDSF Cover Trim Ring (CROWN® II ONLY)
3B.	0332005	CR-113	PVDPB Handle Trim Ring (CROWN® II ONLY)
	0332028	CR-113	PVDBN Handle Trim Ring (CROWN® II ONLY)
	0332029	CR-113	PVDSF Handle Trim Ring (CROWN® II ONLY)
4.	3332003	CR-1004-A	Piston Kit – 1.6 gpf (6.0 Lpf) Water Closet
	3332013	CR-1011-A	Piston Kit – 1.28 gpf (4.8 Lpf) Water Closet
	3332004	CR-1005-A	Piston Kit – 1.0 gpf (3.8 Lpf) Urinal
	3332005	CR-1006-A	Piston Kit – 0.5 gpf (1.9 Lpf) Urinal
	3332017	CR-1015-A	Piston Kit – 0.25 gpf (1.0 Lpf) Urinal
	3332016	CR-1014-A	Piston Kit – 0.125 gpf (0.5 Lpf) Urinal

ALL PISTON KITS INCLUDE MAIN SEAT (see item 4 table to right) AND CR-124-A INSIDE COVER ASSEMBLY AS SHOWN IN ITEM 4. PISTON KIT COMPONENTS TABLE TO THE RIGHT.

Item No.	Code No.	Part No.	Description
5A.	0302353	B-30-A	ADA-Compliant Handle Assembly CP
5B.	0302390	B-73-A	ADA-Compliant Handle Assembly CP
6A.	3332006	CR-1007	Handle Repair Kit
6B.	3302306	B-51-A	Handle Repair Kit
7.	5301139	A-31	Handle Gasket – 48/pkg
8.	0302389	B-74-A	Handle Grip Sub-Assembly ADA
9A.	0302309	B-56	Sleeve
9B.	0302109	B-7-A	CP Socket Assembly
10A.	0302354	B-53	Handle Socket
10B.	0301082	A-6	CP Handle Coupling
11.	3393004	V-600-AA	3/4" x 9" (19 x 229 mm) Vacuum Breaker - 6/pkg
	3393006	V-600-AA	1-1/4" x 9" (32 x 229 mm) Vacuum Breaker - 6/pkg
	3393007	V-600-AA	1-1/2" x 9" (38 x 229 mm) Vacuum Breaker - 6/pkg
12.	3323182	V-651-A	High Back Pressure Vacuum Breaker Repair Kit
13.	3332001	CR-1008-A	3/4" (19 mm) Spud Coupling Assembly
	3332001	CR-1009-A	1-1/4" (32 mm) Spud Coupling Assembly
	3332002	CR-1010-A	1-1/2" (38 mm) Spud Coupling Assembly
13A.	SEE SLIP JOINT GASKETS AND RINGS TABLE ON BOTTOM, PAGE 25		
14.	0308676	H-550	Stop Coupling
15.	0308801	H-551-A	Adjustable Tailpiece (2-1/16" (52 mm) long)
16A.	5308696	H-553	O-ring – 24/pkg
16B.	5308381	H-552	Locking Ring – 12/pkg
17.	0388000	H-700-A	1" Screwdriver Bak-Chek® Stop CP
	0388001	H-700-A	3/4" Screwdriver Bak-Chek® Stop CP
18.	3308853	H-541-ASD	Control Stop Repair Kit†
	3308856	H-543-ASD	Control Stop Repair Kit† for 3/4" Stops H-600, H-640
19.	0308612	H-622	CP Bonnet †
	0308843	H-577	CP Bonnet † – OBsolete
20.	3308840	H-573-A	Locking Vandal Resistant Control Stop Cap includes H-573 Stop Cap CP and H-648 Friction Ring †
	0308848	H-582	Locking Vandal Resistant Control Stop Cap CP †
21.	3308651	H-651	Vandal Resistant Control Stop Cap Assembly †
22.	3308866	H-574	Control Stop Cap w/Bumper (-YO Variation) †
23.	3308867	H-576	Control Stop Cap w/Extended Bumper (-YG Variation)†
24.	3388017	H-1017	Flow Control (HEU Only) (Not Shown)
—	0305190	EL-190-A	Handle Adapter (manual only) for Optima® version

† For use w/H-700-A 1" & 3/4" and H-600-A 1" Screwdriver Bak-Chek® Control Stops.
‡ For use w/H-600-A 3/4" Screwdriver Bak-Chek® Control Stops.

ITEM 4. PISTON KIT COMPONENTS

Item	Code No.	Part No.	Description
A.	***	CR-124-A	Inside Cover Sub-Assembly
B.	***	***	Piston Cover
C.	5332095	CR-68-A	Molded Cup – 12/pkg
D.	5328019	SH-406	Spring – 12/pkg
E.	***	***	Relief Valve
F.	0307116	G-95	Relief Valve Seat
G.	***	***	Piston Body
H.	***	CR-125-A	Main Seat – 6/pkg (1.0 gpf)
	***	CR-170-A	Main Seat – 6/pkg (0.125 gpf, 0.25 gpf and 0.5 gpf)
I.	0307210	G-85	Filter O-ring
J.	0332124	CR-169	O-ring (for use with CR-125-A main seat ONLY)*
	5308958	H-589	O-ring* 6/pkg

* Components are NOT interchangeable
*** Indicates component is NOT available separately

