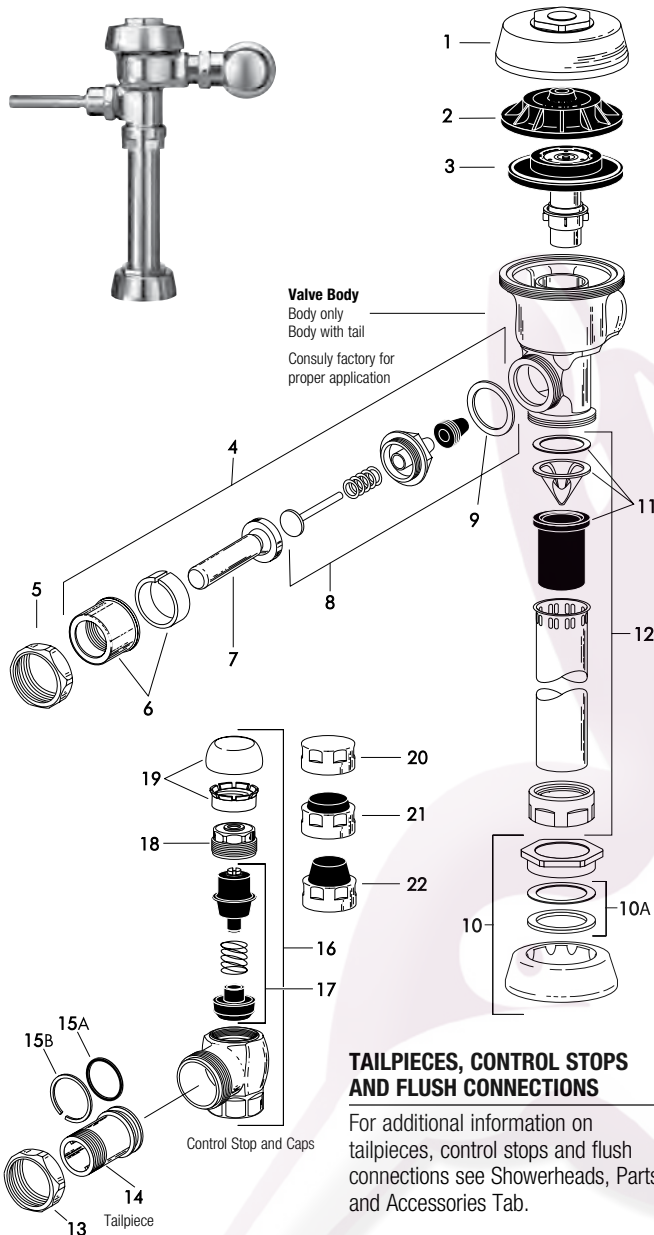


# Royal® Flushometer



## PARTS LIST

Item No.	Code No.	Part No.	Description
1.	0301172PKA-72		CP Cover
	0301435PKA-72-HE		CP High Efficiency Cover
2.	0301168	A-71	Inside Cover
	0301336	A-71-1	Inside Cover (Purple)
3.	—		Dual-Filtered Bypass Diaphragm Assembly (refer to table and diagram on following page)
4.	0302390	B-73-A	CP ADA-Compliant Triple Seal Handle Assembly
	0302267	B-73-A-PH	CP ADA-Compliant Triple Seal Handle Assembly
5.	0301082	A-6	CP Handle Coupling
6.	0302109	B-7-A	CP Socket Assembly
7.	0302389	B-74-A	CP ADA-Compliant Handle
	0302264	B-74-A-PH	CP ADA-Compliant Handle (Purple Handle)
8.	3302306	B-51-A	Triple Seal Handle Repair Kit
9.	5301139	A-31	Handle Gasket – 48 per package
10.	0306125	F-5-AW	3/4" (19 mm) CP Spud Coupling Assembly
	0306140	F-5-AU	1-1/4" (32 mm) CP Spud Coupling Assembly
	0306146	F-5-AT	1-1/2" (38 mm) CP Spud Coupling Assembly
10A.	<b>SEE SLIP JOINT GASKETS AND RINGS TABLE BELOW LEFT</b>		
11.	3323182	V-651-A	High Back Pressure Vacuum Breaker Repair Kit
12.	3393004	V-600-AA	3/4" (19 mm) x 9" (228 mm) CP Vacuum Breaker
	3393006	V-600-AA	1-1/4" (32 mm) x 9" (228 mm) CP Vacuum Breaker
	3393007	V-600-AA	1-1/2" (38 mm) x 9" (228 mm) CP Vacuum Breaker
13.	0308676	H-550	CP Stop Coupling
14.	0308801	H-551-A	CP Adjustable Tailpiece 2-1/16" (52 mm long) Standard Length*
15A.	5308696	H-553	O-ring – 24 per package
15B.	5308381	H-552	Locking Ring – 12 per package
16.	3308386	H-700-A	1" (25 mm) CP Bak-Chek® Screwdriver Stop
	0388141	H-700-A-RW	1" (25 mm) CP Bak-Chek® Screwdriver Stop
	3308384	H-700-A	3/4" (19 mm) CP Bak-Chek® Screwdriver Stop
	0388142	H-700-A-RW	3/4" (19 mm) CP Bak-Chek® Screwdriver Stop
17.	3308853	H-541-ASD	Control Stop Repair Kit †
	3308856	H-543-ASD	Control Stop Repair Kit †
18.	0308612	H-622	CP Bonnet †
	0308892	H-608-RW	CP Bonnet †
	0308843	H-577	CP Bonnet † – <b>DISCONTINUED</b>
19.	3308772	H-1010-A	Vandal Resistant Control Stop Cap Assembly †
	3308790	H-1009-A	Vandal Resistant Control Stop Cap Assembly † H-600 3/4" Stop only
20.	0308738	H-573	Control Stop Cap CP †
	0308848	H-582	Control Stop Cap CP †
21.	3308866	H-574	Control Stop Cap with Bumper † (-YO Variation)
22.	3308867	H-576	Control Stop Cap with Extended Bumper † (-YG Variation)
23.	3388015	H-1015	Flow Control Kit (not Shown) (HEU Only)
24.	3308735	H-634-AA-RW	1" (25 mm) Sweat Solder Kit w/ Cast Set Screw Flange (not shown)
	3308736	H-636-AA-RW	3/4" (19 mm) Sweat Solder Kit w/ Cast Set Screw Flange (not shown)
	3308785	H-636-AA	1" (25 mm) Sweat Solder Kit w/ Cast Set Screw Flange (not shown)
	3308788	H-636-AA	3/4" (19 mm) Sweat Solder Kit w/ Cast Set Screw Flange (not shown)

## ITEM 10A. SLIP JOINT GASKETS AND RINGS

Size	Code No.	Part No.	Description
1-1/2"	5306058	F-3	Red Friction Ring
	5322001	VBF-5	Black Slip Joint Gasket
	0319086/5319086	S-30	Flexible Seat
	0319079	S-21	Rigid Seat (rubber over brass)
1-1/2" x 1-1/4"	0396062	F-105	Slip Joint Gasket – Rigid
1-1/4"	5306057	F-3	Red Friction Ring
	5322176	VBF-5	Black Slip Joint Gasket
	0307052/5307052	G-21	Rigid Seat (rubber over brass)
1"	5306056	F-3	Red Friction Ring
	5306115	F-5	Black Slip Joint Gasket
3/4"	5306055	F-3	Red Friction Ring
	5306113	F-5	Black Slip Joint Gasket

\* See pages 102-103 for additional lengths

† For use with 1" and 3/4" H-700-A and 1" H-600-A Bak-Chek® screwdriver control stop

‡ For use with 3/4" H-600-A Bak-Chek® screwdriver control stop

RW for use with Reclaimed Water Flushometers

Sloan products are also available in satin, brushed nickel, chrome, gold and polished brass finishes – contact factory for part numbers.

\*Contact factory for optional tune-up kits.