

► Code Number

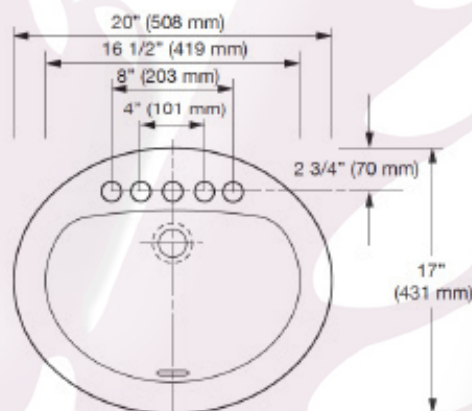
3873102

► Description

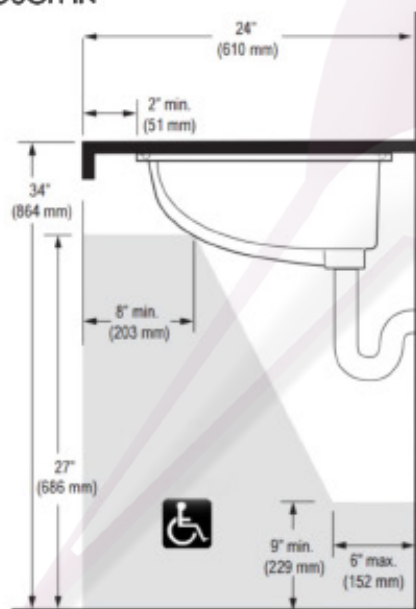
Vitreous china drop-in oval lavatory

► Fixture Specification

- White Vitreous china
- Front Overflow
- Self-rimming
- 20" (508 mm) x 17" (431 mm)
- Single Faucet Hole
- Permanent SloanTec™ hydrophobic antimicrobial glaze inhibits the growth and buildup of germs, bacteria, mold, mildew and mineral scale on the surfaces

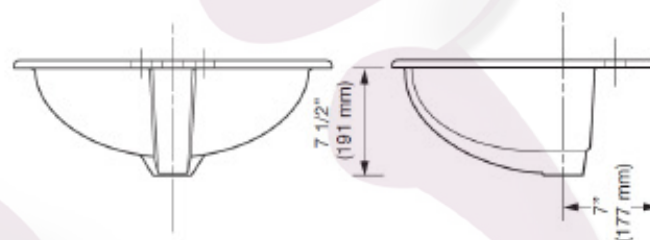


► ROUGH-IN



► Product Specification

Sink shall be made of vitreous china with a front overflow. Sink shall be drop-in mounted. Sink shall have a faucet hole. Sink shall be Sloan Model SS-3102.



► Notes

- All information contained in this document subject to change without written notice
- NOTE: All vitreous china dimensions shown in these drawings are nominal and not to scale. Dimensions can vary within the tolerances established in the governing ASME A112.19/CSA B45.1 standard. It is important to consider this when planning rough-in and plumbing layouts.

► Compliance & Certifications



This space for Architect/Engineer Approval