

► **Code Number**

3362116

► **Description**

Sensor Activated, Electronic, 4 inch Centerset Hand Washing Faucet for tempered or hot/cold water operation.

► **Flow Rates**

0.5 gpm/1.9 Lpm Vandal Resistant Spray Head

► **Specifications**

ADA Compliant, Sensor Activated, 6 VDC, Chrome Plated Brass, Hand Washing Faucet with the following features:

- Splash-proof Circuit Control Module
- Filtered Solenoid Valve with serviceable Strainer Filter
- Includes appropriate Mounting Hardware
- Adjustable Infrared Sensor Range
- 36" (914 mm) Long Sensor Cable
- 24" (610 mm) Long Flex Hose
- Includes Four (4) AA-size Batteries
- 6 VDC Plug-in Adapter (Model SF-2300 only)
- Aerator Spray Head

► **Variations**

(Add suffix to Model Number for inclusion with Faucet)

- Temperature Mixing Valves
- MIX-60-A Below Deck Mechanical Mixing Valve
- No Trim Plate

► **Accessories (Sold Separately)**

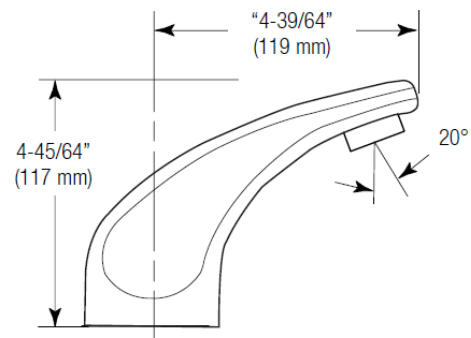
Adapters

(Specify separately)

- SFP-6-110 VAC/6 VDC Plug-in Adapter
- SFP-13- 0.5 gpm/1.9 Lpm Spray Head
- Standard Outlet
- SFP-23- 2.2 gpm/8.3 Lpm Aerator Spray Head

Vandal Resistant Outlet

- SFP-46-0.5 gpm/1.9 Lpm Vandal Resistant Spray Head
- SFP-24-2.2 gpm/8.3 Lpm Vandal Resistant Aerator Spray Head
- SFP-20- 220 VAC/6 VDC Type G Rectangular (UK) Plug-in Adapter
- SFP-25- 220 VAC/6 VDC Type C Round Pin (Euro) Plug-in Adapter
- SFP-26- 220 VAC/6 VDC Type A Flat Blade (Asia) Plug-in Adapter
- SFP-35-A- Gang Adapter Kit, includes 1 Plug-in Gang Adapter, 5 Splitter Cables and 1 Extension Cable
- SFP-36- 71" (1800 mm) 120 VAC/6 VDC Plug-in Gang Adapter
- SFP-38- 51" (1300 mm) Splitter Cable
- SFP-37- 51" (1300 mm) Extension Cable



► **Automatic Operation**

The Sloan SF-2300 and SF-2350 Electronic Hand Washing Faucets operate by means of an infrared sensor. When the user enters the sensor's effective range, the Solenoid activates the water flow. Tempered water flows from the Faucet until the user steps away. The Faucet then automatically shuts off.

► **Hygienic**

The ultimate in sanitary protection — there are no handles to turn or buttons to push. Helps to control the spread of infectious diseases.

► **Economical**

Automatic operation provides energy savings. Reduces maintenance and operating costs. Designed for quick and easy installation.

► **Compliance & Certifications**

ASME A112.18.1 and CSA B125.1

CEC Compliant



This space for Architect/Engineer Approval

► ELECTRICAL SPECIFICATIONS

Control Circuit

- 6 VDC Input/Output

Adapter

- 6 VDC Plug-in (Model 2300 only)

Battery Life

- Four (4) Alkaline AA Batteries 2 years at 8,000 cycles/month

Solenoid Valve

- 6 VDC, Serviceable Strainer, 3/8" Compression Inlet, 1/2" NPSM Outlet

Sensor Range

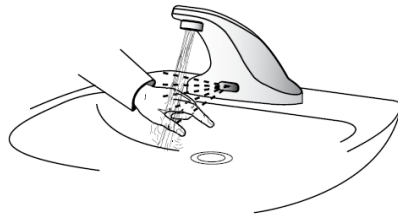
- Nominal: 4"-7" (102 mm-179 mm)

Time Out Setting

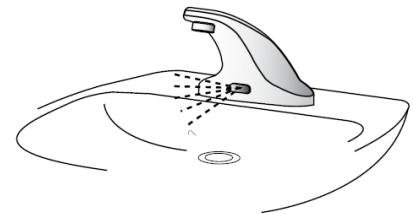
- Adjustable time-out setting of 10 or 30 seconds

► OPERATION

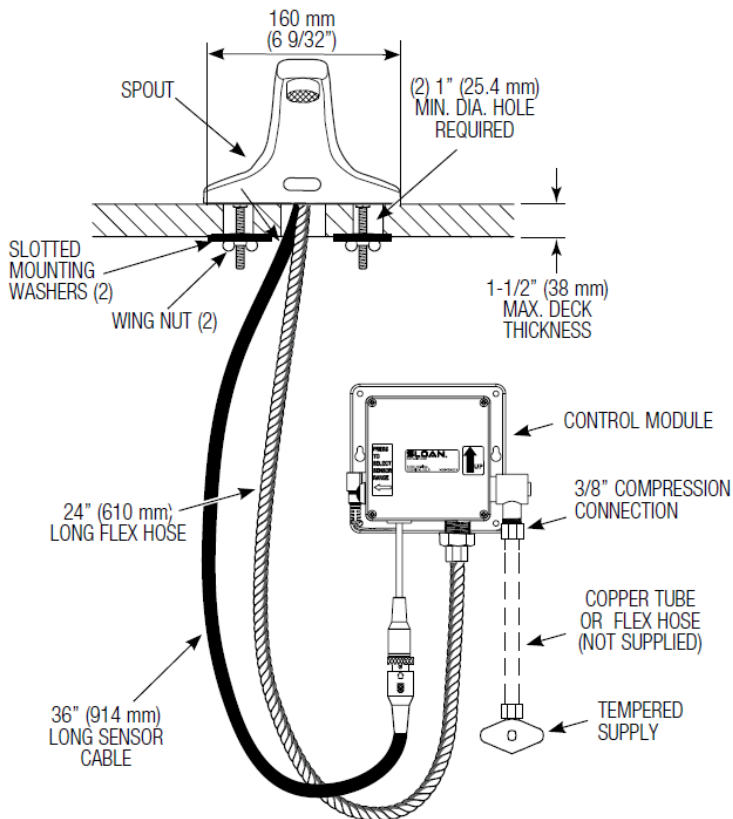
1. When a user's hands enter the sensing range, water flows from the spout.



2. When hands are removed, the water flow stops.



► ROUGH-IN



HOT AND COLD WATER SUPPLY APPLICATIONS (SPECIFY IN MODEL VARIATION)

