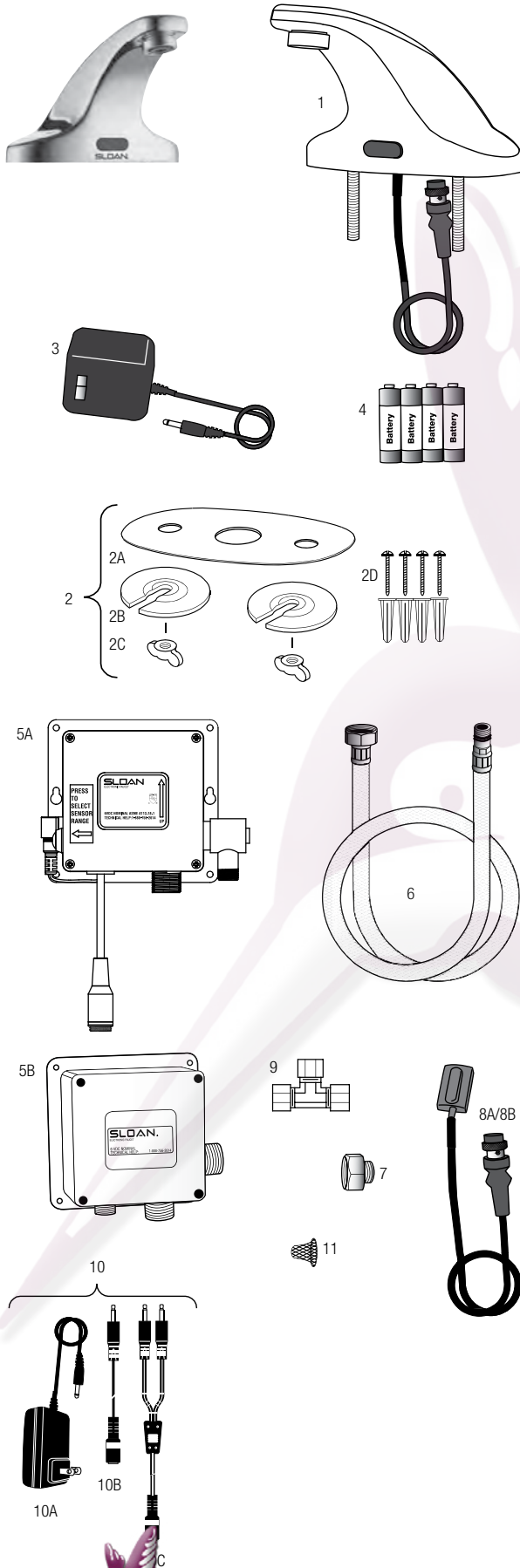


SF-2300/SF-2350



PARTS LIST—SF-2300/SF-2350

Item No.	Code No.	Part No.	Description
1.	—	—	Faucet Assembly w/Outlet
2.	—	SFP-16	Mounting Hardware Kit: includes Items 2A, 2B, 2C and 2D
2A.	—	—	Compression Fitting
2B.	—	—	Washers (2)
2C.	—	—	Wing Nuts (2)
2D.	—	—	Screws and Anchors for Control Module
3.	0362006	SFP-6	110 VAC/6 VDC Plug-In Adapter (US) (Model SF-2300 only)
4.	—	—	Batteries, 4 AA-size (all models)
5A.	0362040	SFP-40-A	Control Module with Adjustable Button (6 pin connector)
5B.	0362008	SFP-8	Control Module (Old Style 4 pin connector)*
6.	0362010	SFP-10	Flex Hose, Control Module to Spout
7.	0362045	SFP-45-A	Inlet adapter – 1/2" NPSM to 3/8" Compression Connection (not supplied with most international models)
8A.	0362041	SFP-41-A	Sensor Assembly (6 pin connector)
8B.	0362034	SFP-34	Sensor Assembly (Old Style 4 pin connector)*
9.	3365461	ETF-617-A	3/8" Bak-Chek® Tee Compression Fitting

* IMPORTANT: Sloan added the range adjustment feature in August 2008 for faucets made prior to August 2008 use the following replacement parts: SFP-34 and SFP-8

NOT SHOWN SEPARATELY

—	0335029	EAF-51	0.35 gpm (1.3 Lpm) spray head
—	0335012	EAF-15	0.5 gpm (1.9 Lpm) vandal resistant spray head
—	3362000	SFP-1000	0.35 gpm (1.3 Lpm) vandal resistant spray head
—	0362013	SFP-13	0.5 gpm (1.9 Lpm) Spray head
—	0362023	SFP-23	2.2 gpm (8.3 Lpm) Aerator
—	0362024	SFP-24	2.2 gpm (8.3 Lpm) vandal resistant aerator
—	0362020	SFP-26	220 VAC/6 VDC Plug-In Adapter (ASIA)
—	0362025	SFP-25	220 VAC/6 VDC Plug-In Adapter (EURO)
—	0362026	SFP-20	220 VAC/6 VDC Plug-In Adapter (UK)

ACCESSORIES

10.	0362035	SFP-35-A	100-240 VAC/6 VDC Gang Adapter Kit, includes 10A, 10B and 10C
10A.	0362016	SFP-36-A	100-240 VAC/6 VDC Plug-In Adapter
10B.	0362017	SFP-37	Cable Extension, 51" (1300 mm)
10C.	0362018	SFP-38	Cable Splitter, 51" (1300 mm) – 5 included in kit

REPAIR PARTS

11.	0362015	SFP-15	Strainer (located in water inlet of control module)
-----	----------------	--------	---

— in Item No. column = Not shown in illustration
 — in Code No. and Part No. column = Not sold separately