

► **Code Number**
24501001

► **Description**
Complete HET system with exposed manual Royal® Flushometer and vitreous china wall hung fixture.

► **Flush Cycle**
1.28 gpf/4.8 Lpf

- **Specifications**
- Quiet, exposed, diaphragm type, chrome plated closet Flushometer for either left or right hand supply and vitreous china wall hung water closet with the following features:
 - Flush accuracy controlled by CID® technology
 - Static load rating of 750 lbs (see Notes)
 - Compatible with toilet seat models: Bemis 1955CT, Bemis 2155CT

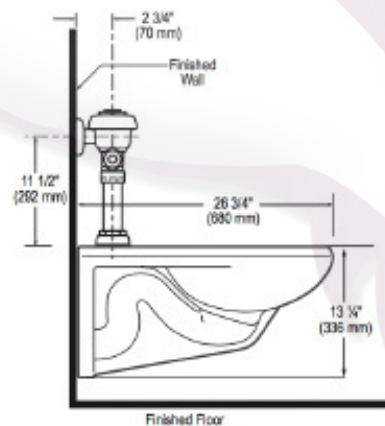
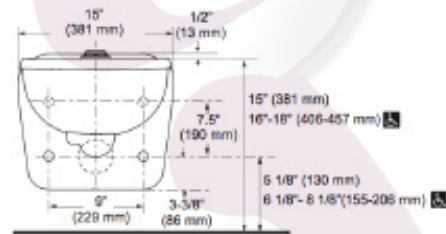
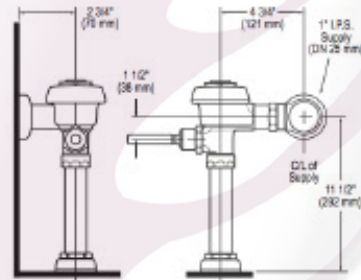
► **Plumbing System Requirements**
Minimum Operating Pressure: 25 PSI
Maximum Fixture Operating Pressure: 80 PSI
Minimum Operating Flow Rate: 18 GPM

- **NOTE:**
- All vitreous china dimensions shown in these drawings are nominal. Dimensions can vary within the tolerances established in the governing ASME A112.19.2/CSA B45.1 standard. Please take this into consideration when planning rough-in and plumbing layouts.
 - Static load tested according to the procedure in Section 6.7 of ASME A112.19.2. Not recommended for bariatric use.

► **Compliance & Certifications**
CEC Compliant



CAL Green



This space for Architect/Engineer Approval