

► Code Number

20221002

► Description

Complete HET system with exposed manual UpperCut® dual flush closet flushometer and dual flush ADA compliant vitreous china fixture.

► Flush Cycle

Model WETS-2022.1002-1.6 / 1.1 WES (Down 1.6 gpf/6.0 Lpf, Up 1.1 gpf/4.2 Lpf)

► Specifications

Dual Flush, Quiet, Exposed, Diaphragm Type, Chrome Plated Closet Flushometer and vitreous china ADA compliant dual flush HET fixture with the following features:

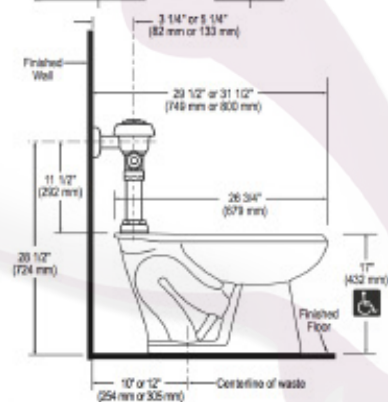
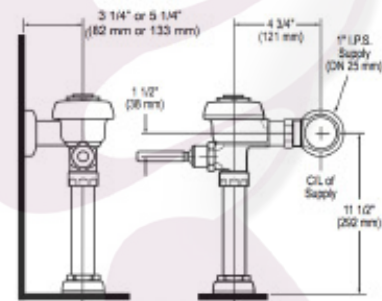
FLUSHOMETER

- Lifting Handle UP initiates reduced flush (1.1 gpf/4.2 Lpf), eliminating liquid and paper waste, saving a ¼-gallon of water
- Pushing Handle DOWN initiates full flush (1.6 gpf/6.0 Lpf), eliminating all waste
- Reduces water volume by up to 30% when activated UPWARDS
- Metal Non-Hold-Open Handle with Triple Seal Handle Packing
- 1" I.P.S. Screwdriver Bak-Chek® Angle Stop with Free Spinning Vandal Resistant Stop Cap
- High back pressure vacuum breaker flush connection w/ one-piece bottom hex coupling nut
- Sweat Solder Adapter with Cover Tube and Cast Set Screw Wall Flange
- Non-Hold-Open Handle, Fixed Metering Bypass and No External Volume Adjustment to Ensure Water Conservation
- Stop Seat and Vacuum Breaker molded from PERMEX® Rubber Compound for Chloramine Resistance
- Includes two (2) adhesive backed Metal Wall Plates etched with Instructions

FIXTURE

- ADA compliant
 - Floor mounted vitreous china
 - 1 1/2" I.P.S. top spud inlet
 - Elongated bowl with siphon jet flush
 - Closet bolts and caps included
 - Toilet seat not included Compatible with toilet seat models: Olsonite 10CT, Bemis 1955CT & Church Commercial 295CT
 - Water closet shall be in compliance to the applicable sections of ASME A112.19.2/CSA B45.1
 - Compliant with Buy American Act when purchased as a combination
- * Antimicrobial coating does not protect users or others against disease-causing bacteria.

- 2 1/8" fully glazed trapway diameter
- Antimicrobial Coating on Handle Protects Handle Against Germs
- 100% factory flush tested
- Flush accuracy controlled by CID® technology
- Spud Coupling and Flange for 1 1/2" Top Spud
- Infrared Sensor with Multiple-focused, Lobular Sensing Fields for high and low target detection



► Compliance & Certifications



This space for Architect/Engineer Approval