

► **Code Number**

20201304

► **SPECIFICATIONS**

Quiet, exposed, sensor activated diaphragm type, chrome plated closet Flushometer for either left or right hand supply and vitreous china ADA compliant floor mount water closet with the following features:

Flush Cycle

1.28 gpf/4.8 Lpf

Flushometer and OPTIMA® ES-S TMO Unit

- OPTIMA® EL-1500-L Self-Adaptive Infrared Sensor with Indicator Light
- "Walk By" Delay of Eight (8) Seconds Prevents Unintentional Flushes
- Non-Hold-Open Integral Solenoid Operator
- Chrome Plated Wall Cover Plate and Die Cast Wall Flange (for 2-gang Electrical Box) with Vandal Resistant Screws
- High Copper, Low Zinc Brass Castings for Dezincification Resistance
- Diaphragm, Stop Seat and Vacuum Breaker to be molded from PERMEX® Rubber Compound for Chloramine Resistance
- Courtesy Flush® Non-Hold-Open True Mechanical Override Button
- 1" I.P.S. Screwdriver Bak-chek® Angle Stop
- Adjustable Tailpiece
- High Back Pressure Vacuum Breaker Flush connection with One-Piece Bottom Hex coupling Nut, Spud coupling and Flange for 1½" Top Spud
- Sweat Solder Adapter with cover Tube and cast Wall Flange with Set Screw
- Fixed Metering Bypass and No External Volume Adjustment to Ensure Water conservation
- Flush Accuracy controlled by CID™ Technology

Valve Body, Cover, Tailpiece and Control Stop shall be in conformance with ASTM Alloy Classification for Semi-Red Brass. Valve shall be in compliance with the applicable sections of ASSE 1037.

- PERMEX® Synthetic Rubber Diaphragm with Dual-Filtered Fixed Bypass
- User-Friendly Three (3) Second Flush Delay

► **SPECIFICATIONS (continued)**

Fixture Specifications

- Integral flushing rim
 - Recommended seats:
 - Bemis - 1955CT/1955SSCT & 2155CT/2155SSCT
 - Church - 295CT/295SSCT & 2155CT/2155SSCT
 - Water spot area 9½" x 8¼"
 - Floor mounted ADA compliant vitreous china elongated bowl
 - Fixture bolts and caps included
 - Seat not included
- 2 1/8" fully glazed trapway diameter
- 1½" I.P.S. top spud inlet



► **FEATURES**

Automatic

Sloan OPTIMA® equipped Flushometers provide the ultimate in sanitary protection and automatic operation. There are no handles to trip or buttons to push. The Flushometer operates by means of an infrared sensor that adapts to its surroundings. Once the user enters the sensor's effective range and then steps away, the Flushometer Solenoid initiates the flushing cycle to flush the fixture.

Economical

Automatic operation provides water usage savings over other flushing devices. Reduces maintenance and operation costs.

Practical

Solid state electronic circuitry assures years of dependable, trouble-free operation. The operational components of the Flushometer are identical to a handle activated Sloan® Flushometer, proven by over 100 years of experience.

Hygienic

User makes no physical contact with the Flushometer surface except to initiate the Override Button when required. Helps control the spread of infectious diseases. 24-Hour Sentinel Flush keeps fixture fresh during periods of nonuse.

► **Compliance & Certifications**



This space for Architect/Engineer Approval



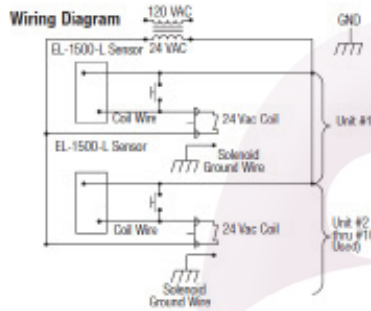
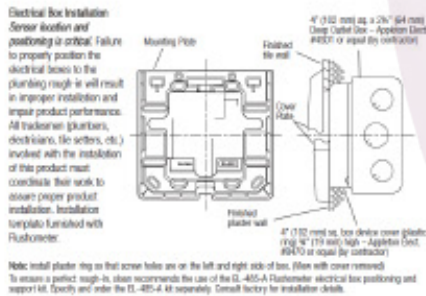
- Compliant with Buy American Act when purchased as a combination
- Water closet compliant to the applicable sections of ASME A112.19.2/CSA B45.1

► Plumbing System Requirements

Maximum Static Pressure: 80 PSI

Minimum Flow Rate: 25 GPM

Minimum Flowing Pressure: 25 PSI



► ELECTRICAL SPECIFICATIONS

Solenoid Operator

24 VAC, 50/60 Hz

Sensor Range

Self-adaptive Window $\pm 8"$ (203 mm)

Nominal 15"-30" (381 mm-762 mm), adjustable $\pm 8"$ (203 mm)

Control Circuit

Solid State

8 Second Arming Delay

24 VAC Input

24 VAC Output

24 Hour Sentinel Flush

Transformer Accessories

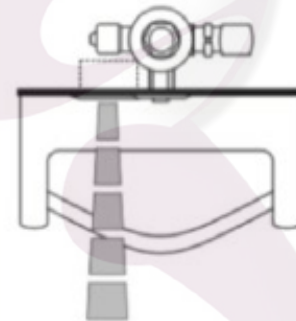
EL-154 Transformer (120 VAC/24 VAC 50 VA)

EL-342 Transformer (240 VAC/24 VAC 50 VA)

Valve Operating Pressure (Flowing)

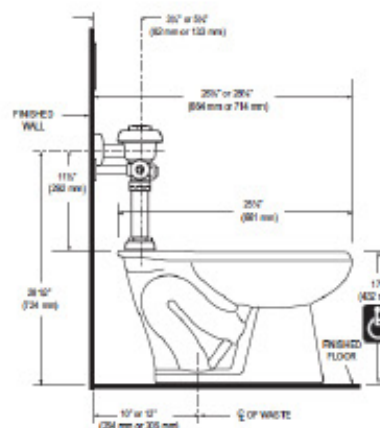
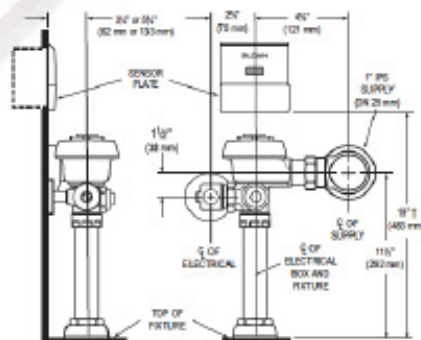
15 - 100 psi (104 - 689 kPa)

► OPERATION



3. When the user steps away from the OPTIMA® Sensor, the circuit immediately initiates an electrical "one-time" signal that operates the Solenoid. This initiates the flushing cycle to flush the fixture. The circuit then automatically resets and is ready for the next user.

DIMENSIONS/ROUGH-IN



NOTE: All vitreous china dimensions shown in these drawings are nominal. Dimensions can vary within the tolerances established in the governing ASME A112.19.2/CSA B45.1 standard. Please take this into consideration when planning rough-in and plumbing layouts.

†Position of Sensor Box can be raised or lowered 1" (25 mm) if in conflict with Handicap Grab Bars.