

► **Code Number**

20021410

► **SPECIFICATIONS**

**Specifications**

Quiet, exposed, diaphragm type, chrome plated HET Flushometer for either left or right hand supply and HET vitreous china fixture with the following features:

**Flush Cycle**

Model WETS 2002.1420-1.6/1.1 DFSM

- PERMEX® Plus Synthetic Rubber Diaphragm with Dual Filter Bypass
- ADA Compliant OPTIMA Plus® DF Battery Powered Infrared Sensor for automatic "No Hands" operation
- Chrome plated Infrared Sensor Housing
- Four (4) Size C batteries included
- "Low Battery" flashing LED
- "User in View" flashing LED
- True Mechanical Override Flush Button
- 1" I.P.S. Screwdriver Bak-Chek® Angle Stop
- Free spinning, Vandal Resistant Stop Cap
- Adjustable Tailpiece
- 72-Hour Sentinel Flush
- High Back Pressure Vacuum Breaker Flush Connection with One-piece Bottom Hex Coupling Nut
- Spud Coupling and Flange for 1-1/2" Top Spud
- Sweat Solder Adapter with Cover Tube and Cast Wall Flange with Set Screw
- High copper, low zinc brass castings for dezincification resistance
- No external volume adjustment to ensure water conservation
- Stop Seat and Vacuum Breaker to be molded from PERMEX® rubber compound for chloramine resistance

Valve Body, Cover, Tailpiece and Control Stop shall be in conformance with ASTM Alloy Classification for Semi-Red Brass. Valve shall be in compliance to the applicable sections of ASSE 1037.

► **SPECIFICATIONS (continued)**

**Fixture Specifications**

- Integral flushing rim
- Recommended seats:
- Bemis - 1955CT/1955SSCT & 2155CT/2155SSCT
- Church - 295CT/295SSCT & 2155CT/2155SSCT
- Floor mounted vitreous china
- Toilet seat not included
- Closet bolts and caps included
- Elongated bowl with siphon jet flush
- ADA compliant
- 1 ½" I.P.S. top spud inlet
- 2 1/8" fully glazed trapway diameter
- 100% factory flush tested
- Water closet compliant to the applicable sections of ASME



► **FEATURES**

**Automatic**

Sloan OPTIMA Plus® DFSM equipped Flushometers provide the ultimate in sanitary protection and automatic operation. There is no need for AC hookups or wall alterations. The Flushometer operates by means of a battery powered infrared sensor. Once the user enters the sensor's effective range and then steps away, the Side Mount Operator initiates the flushing cycle to flush the fixture.

**Hygienic**

User makes no physical contact with the Flushometer surface except to initiate the Override Button when required. Helps control the spread of infectious diseases. 24-Hour Sentinel Flush keeps fixture fresh during periods of nonuse.

**Economical**

Automatic operation and a very low flush volume provides water savings over other flushing devices. Reduces maintenance and operation costs. Installation and battery replacement does not require turning off water to the valve.

► **Compliance & Certifications**



This space for Architect/Engineer Approval

A112.19.2/CSA B45.1

### ► ELECTRICAL SPECIFICATIONS

#### Control Circuit

- Solid state, 6 VDC input

#### Sensor Type

- Infrared Convergence Type Object Lock Detection

#### Sensor Range

- Nominal 8" – 54" (203 mm – 1372 mm), Factory set at 24" (610 mm)

#### Indicator Lights

- User in View

#### Battery Life

- 3 Years @ 4,000 flushes/month

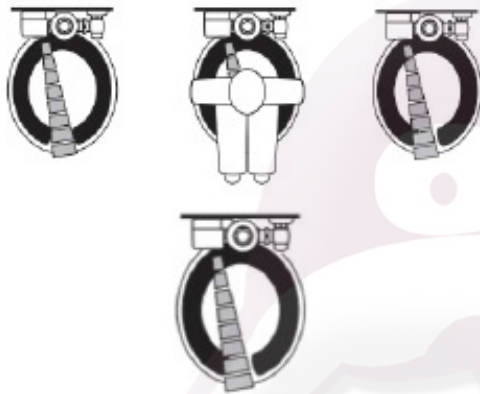
#### Battery Type

- (4) C Alkaline

#### Valve Operating Pressure (Flowing)

- 25 – 80 psi (104 – 689 kPa)

### ► OPERATION



1. A continuous, invisible light beam is emitted from the Object Lock Infrared Sensor.

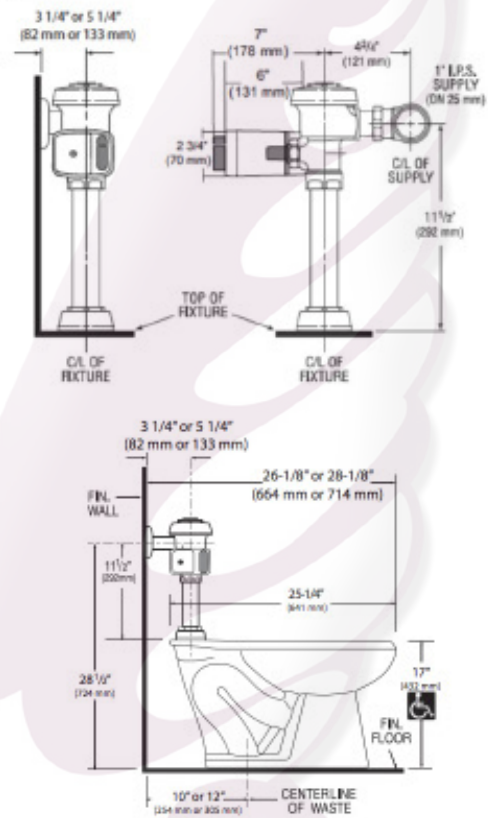


2. As the user enters the beam's effective range, 22" to 42" (559 mm – 1067 mm), the Object Lock Infrared Sensor senses the user.



3. When the user steps away from the Object Lock Infrared Sensor, the circuit initiates the flushing cycle to flush the fixture. The circuit then automatically resets and is ready for the next user.

### ► ROUGH-IN



### ► Plumbing System Requirements

Tel.8375.0992/93, 8372.3713/14/15

Prof. Ruiz Cortines #307 Pte. Col. Paseo de Cumbres Mty N.L. C.P.64346

www.colibrimty.com



colibrimty

Maximum Static Pressure: 80 PSI

Minimum Flow Rate: 25 GPM

Minimum Flowing Pressure: 25 PSI

### ► SFSM DIMENSIONS

#### DFSM DIMENSIONS

