

► **Code Number**

20021303

► **SPECIFICATIONS**

**Specifications**

Quiet, exposed, diaphragm type, chrome plated HET dual flush Flushometer supply and HET dual flush vitreous china fixture with the following features:

**Flush Cycle**

- Model WETS 2002.1303-1.6/1.1 ECOS® Hardwire DF (Full Flush 1.6 gpf/6.0 Lpf, Reduced Flush 1.1 gpf/4.2 Lpf)

**Flushometer Specification**

- Quiet, diaphragm type, chrome plated closet Flushometer and vitreous china water closet with the following features:
- Spud Coupling and Flange for 1-1/2" Top Spud
- Flush accuracy controlled by CID® technology
- Initial Set-up Range Indicator Light (first 10 minutes)
- Chrome plated Infrared Sensor Housing
- Fixed Metering Bypass and no external volume adjustment to ensure water conservation
- ADA Compliant Sloan ECOS® Infrared Sensor for automatic "No Hands" operation
- Line powered (120 VAC/4.5 VAC)
- Courtesy Flush® Override Button
- Infrared Sensor with Multiple-focused Lobular Sensing fields for high and low target detection
- Valve Body, Cover, Tailpiece and Control Stop shall be in conformance with ASTM Alloy Classification for Semi-Red Brass. Valve shall be in compliance to the applicable sections of ASSE 1037/ ASME A112.19.2/CSA B45.1
- Sweat Solder Adapter w/Cover Tube and Cast Wall Flange with Set Screw
- If the user is present for less than one minute and leaves the sensing zone or chooses the small override button, a reduced flush initiates (1.1 gpf/ 4.2 Lpf) eliminating liquid and paper waste and saving water
- If the user is present for greater than one minute and leaves the zone or chooses the large override button, the full flush initiates (1.6 gpf/6.0 Lpf) eliminating solid waste and paper
- Diaphragm, Stop Seat and Vacuum Breaker to be molded from PERMEX® rubber compound for Chloramine resistance

► **SPECIFICATIONS (continued)**

**Fixture Specifications**

- Integral flushing rim
- Compatible with toilet seat models:
- Olsonite 10CT, Bemis 1955CT &
- Church Commercial 295CT
- Floor mounted vitreous china
- Toilet seat not included
- Closet bolts and caps included
- Elongated bowl with siphon jet flush
- 1 1/2" I.P.S. top spud inlet



► **FEATURES**

**Automatic Operation**

- Sloan ECOS® Hardwire Urinal Flushometers can also be activated via multi-lobular infrared sensor. By detecting user presence and duration, the Sloan® ECOS® Smart Sense Technology™ will determine the proper flush volume for unequalled water efficiency.

**Manual Operation**

- Sloan ECOS® Hardwire Dual Flush Flushometers incorporate intuitive Split-button design for easy manual activation. The small button controls the reduced flush cycle (1.1 gpf/4.2 Lpf), the large button controls the full flush cycle (1.6 gpf/6.0 Lpf). Straightforward graphics alert user to proper activation. Reduced flush for liquid waste, full flush for solid waste. To further educate the user, two (2) instructional wall plates are included with each Sloan ECOS® Flushometer.

**Smart Sense Technology™**

- The Sloan ECOS® Hardwire Dual Flush Flushometers are equipped with Smart Sense Technology™ which applies logic techniques to significantly reduce water usage without user input. If the user is present for less than one minute a reduced flush is initiated.

**Functional & Hygienic**

- Touchless, sensor operation eliminates the need for user contact to help control the spread of infectious diseases. The Sloan ECOS® Electronic Flushometers are provided with Override Buttons to allow a "courtesy flush" for individual user comfort.

► **Compliance & Certifications**



This space for Architect/Engineer Approval

► **Plumbing System Requirements**

Maximum Static Pressure: 80 PSI

- 2 1/8" fully glazed trapway diameter
- 100% factory flush tested
- Water closet compliant to the applicable sections of ASME A112.19.2/CSA B45.1

### ► ELECTRICAL SPECIFICATIONS

#### Control Circuit

- Solid State
- 8 Second Arming Delay
- 3 Second Flush Delay
- 6 VAC Input required

#### Sensor Type

- Active Infrared

#### Sensor Range

- Adjustable  $\pm 8"$  (203 mm)
- Nominal 22" - 42" (559 mm - 1067 mm) Self-adaptive Window:  $\pm 10"$  (254 mm)

#### Sentinel Flush

- Automatic flush once every 72 hours after the last flush. Product shipped from factory with feature turned off. Consult factory to activate.

#### Indicator Lights

- Range Adjustment

#### Transformers

- Sloan Part #EL-451 (Box Mount) 120 VAC, 50/60 Hz Primary 6 VAC, 50/60 Hz Secondary Class II, 25 VA.
- Sloan Part #EL-386 (Plug-in) 120 VAC, 50/60 Hz Primary 6 VAC, 50/60 Hz Secondary Class II, 3 VA.

#### Valve Operating Pressure (Flowing)

- 15 - 100 psi (104 - 689 kPa)

### ► OPERATION



1. A continuous, invisible light beam is emitted from the Sloan ECOS® Flush Sensor.



2. As the user enters the beam's effective range, 22 to 42 inches (559 mm to 1067 mm), the beam is reflected into the Scanner Window to activate the Output Circuit. Once activated, the Output Circuit continues in a "hold" mode for as long as the user remains within the effective range of the sensor. If the user stays longer than 65 seconds, a full flush will automatically initiate when the user leaves.

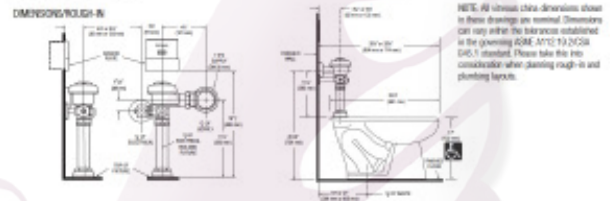


3. Once a user is detected, if the user leaves in 65 seconds or less, a reduced flush will automatically initiate. The circuit automatically resets and is ready for the next user.

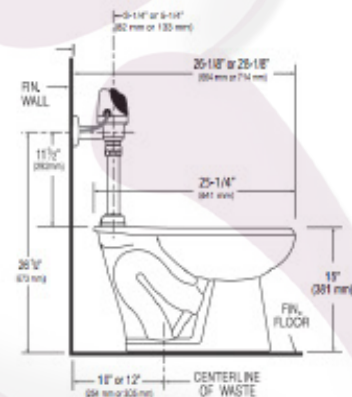
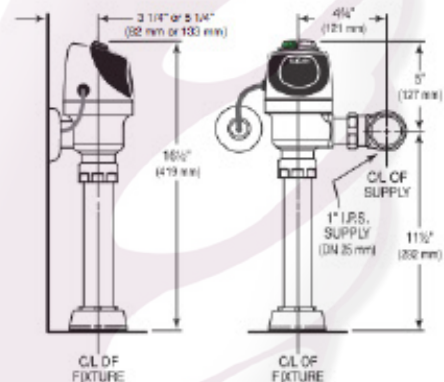
Minimum Flow Rate: 25 GPM

Minimum Flowing Pressure: 25 PSI

### ► ROUGH-IN



1. Fixtures 1/8" thick may call for raised or lowered 1" (25 mm) to be added with flushometer box.



### ► WIRING DIAGRAM

