

► **Code Number**

20001001

► **Description**

Complete HET system with exposed manual Royal® closet Flushometer and vitreous china fixture.

► **Flush Cycle**

1.28 gpf/4.8 Lpf

Flushometer Specification

- Metal oscillating Non-Hold-Open Handle with Triple Seal Handle Packing
- Free spinning Vandal Resistant Stop Cap and Adjustable Tailpiece
- Flex Tube Dual Filtered Bypass Diaphragm designed for improved life and reduced maintenance
- Spud Coupling and Flange for 1 1/2" Top Spud
- Non-Hold-Open Handle, Fixed Metering Bypass and no external volume adjustment to ensure water conservation
- Flush accuracy controlled by CID® technology
- 1" I.P.S screwdriver Bak-Chek® angle stop
- ADA Compliant Solar-Powered Sols® Infrared Sensor for automatic "No Hands" operation
- Infrared Sensor with Multiple-focused, Lobular Sensing fields for high and low target detection
- Sweat Solder Adapter w/Cover Tube and Cast Wall Flange with Set Screw
- Diaphragm, Stop Seat and Vacuum Breaker to be molded from PERMEX® rubber compound for Chloramine resistance

Valve Body, Cover, Tailpiece and Control Stop shall be in conformance with ASTM Alloy Classification for Semi-Red Brass. Valve shall be in compliance to the applicable sections of ASSE 1037/ ASME A112.19.2/CSA B45.1

Fixture Specifications

- Integral flushing rim
- Elongated bowl
- Siphon jet flush
- Closet bolts and caps included
- 100% factory flush tested
- Toilet seat not included
- Compatible with toilet seat models:
- Bemis 1955CT & Bemis 2155CT
- Compliant with Buy American Act when purchased as a combination
- 1 1/2" I.P.S. top spud inlet
- 2 1/8" fully glazed trapway diameter
- Water closet compliant to the applicable sections of ASME A112.19.2/CSA B45.1

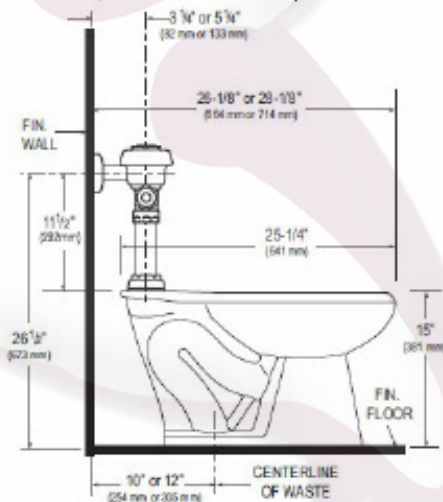
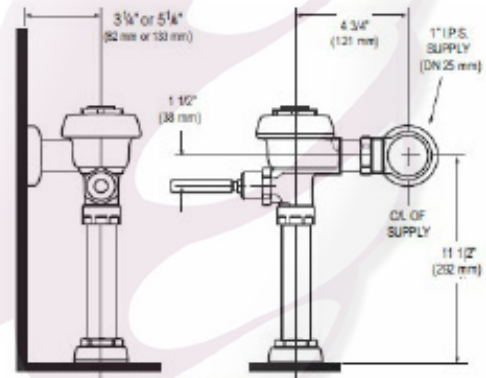
► **Plumbing System Requirements**

- Minimum Flow Rate: 25 GPM
- Maximum Static Pressure: 80 PSI
- Minimum Flowing Pressure: 25 PSI

► **Disclaimer**

All information contained within this document subject to change without notice.

NOTE: All vitreous china dimensions shown in these drawings are nominal and not to scale. Dimensions can vary within the tolerances established in the governing ASME A112.19.2/CSA B45.1 standard. It is important to consider this when planning rough-in and plumbing layouts.



► **Compliance & Certifications**

ASSE-1037



This space for Architect/Engineer Approval