

► **Code Number**  
10001401

► **Description**

Complete HEU system with Battery powered, Sensor activated Sloan ECOS® urinal flushometer and vitreous china urinal.

► **Flush Cycle**

0.125 gpf/0.5 Lpf

**Flushometer Specification**

ADA Compliant ECOS® Battery Powered Infrared Sensor for automatic "No Hands" operation

- Courtesy Flush® Override Button
- Reduces water usage up to 80% over standard sensor urinal
- Engineered Cover with replaceable Lens Window
- Four (4) Size AA Batteries factory installed
- Sensor with automatic range adjustment
- Initial Set-up Range Indicator Light (first 10 minutes)
- 3/4" I.P.S. Screwdriver Bak-Chek® Angle Stop
- Free spinning Vandal Resistant Stop Cap and Adjustable Tailpiece
- PERMEX® Synthetic Rubber Diaphragm with Dual Bypass
- Latching Solenoid Operator
- User friendly 1-2 second Flush Delay
- Spud Coupling and flange for 3/4" Top Spud
- Sweat Solder Adapter w/Cover Tube and Cast Wall Flange with Set Screw
- Chrome plated Infrared Sensor Housing
- Fixed Metering Bypass and no external volume adjustment to ensure water conservation
- Stop seat and vacuum breaker to be molded from PERMEX® rubber compound for chloramine resistance

Valve Body, Cover, Tailpiece and Control Stop shall be in conformance with ASTM Alloy Classification for Semi-Red Brass. Valve shall be in compliance to the applicable sections of ASSE 1037/ ASME A112.19.2/CSA B45.1

**Urinal Specifications**

- Wall hung vitreous china
- Washdown flushing action
- 3/4" I.P.S. top spud inlet
- 2" NPT outlet flange
- All mounting hardware included
- Vandal resistant strainer assembly included
- 100% factory flush tested & integral flushing rim
- Compliant to the applicable sections of ASME A112.19.2/CSA B45.1
- Carrier not included
- Compliant with Buy American Act when purchased as a combination

► **Plumbing System Requirements**

- Maximum Static Pressure: 80 PSI
- Minimum Flowing Pressure: 25 PSI
- Minimum Flow Rate: 18 GPM

► **Notes**

- All information contained in this document subject to change without written notice
- NOTE: All vitreous china dimensions shown in these drawings are nominal and not to scale. Dimensions can vary within the tolerances established in the governing ASME A112.19/CSA B45.1 standard. It is important to consider this when planning rough-in and plumbing layouts.



► **FEATURES**

**Automatic**

Sloan ECOS® electronic flushometers are activated via multi-lobular infrared sensor. Sloan ECOS® electronic urinal flushometers are available without an override button to eliminate unnecessary casual activation.

**Smart Sense Technology**

The Sloan ECOS® flushometer is equipped with Smart Sense Technology™ which applies extended range and logic techniques to significantly reduce water usage in high use urinal applications; such as when a continuous line of people, also known as a queue, forms. In fact during continuous queue, regardless the number of users, the maximum amount of water used is 2.0 gallons or less. Please contact Sloan for specific Details.

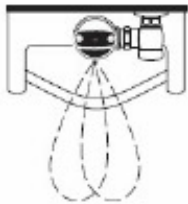
► **Compliance & Certifications**

ASME A112.1.3

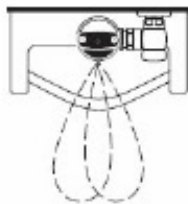


This space for Architect/Engineer Approval





3. When the user steps away from the Sloan ECOS sensor the sensor initiates an electrical signal that operates the solenoid. This initiates the flushing cycle to flush the fixture. The circuit then automatically resets and is ready for the next user.



1. A continuous, invisible light beam is emitted from the Sloan ECOS sensor.



2. As the user enters the beam's effective range (15" to 30") the beam is reflected into the Sloan ECOS scanner window and transformed into a low voltage electrical circuit. Once activated, the output circuit continues in a "hold" mode for as long as the user remains within the effective range of the sensor.

### ► ELECTRICAL SPECIFICATIONS

#### Control Circuit

- Solid State
- 6 VDC Input
- 8 Second Arming Delay
- 72 Hour Sentinel Flush

#### Battery Life

- 6 Years @ 4,000 flushes/month

#### Sensor Type

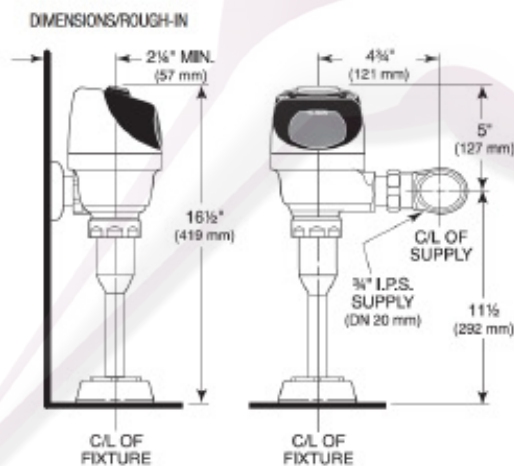
Active Infrared

#### Sensor Range

Adjustable  $\pm 8"$  (203 mm)

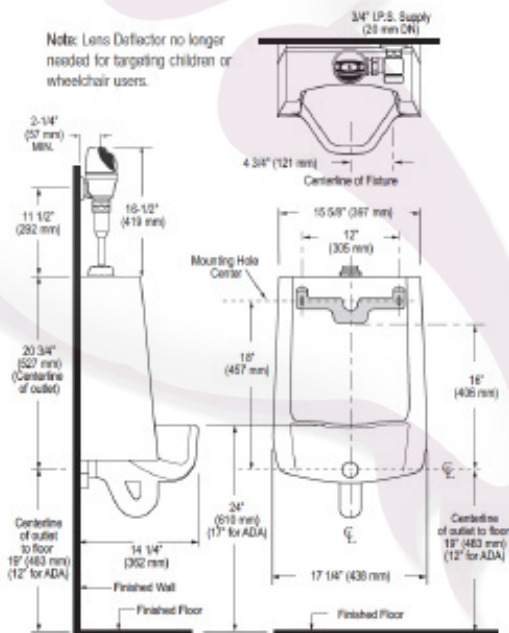
Nominal 15"-30" (381 mm-762 mm), adjustable  $\pm 8"$  (203 mm)

### ► ROUGH-IN



NOTE: All vitreous china dimensions shown in these drawings are nominal. Dimensions can vary within the tolerances established in the governing ASME A112.19.2/CSA B45.1 standard. Please take this into consideration when planning rough-in and plumbing layouts.

Note: Lens Deflector no longer needed for targeting children or wheelchair users.



### ► Disclaimer

All information contained within this document subject to change without notice.

NOTE: All vitreous china dimensions shown in these drawings are nominal and not to scale. Dimensions can vary within the tolerances established in the governing ASME A112.19.2/CSA B45.1 standard. It is important to consider this when planning rough-in and plumbing layouts.