

## EFX-600-00X-00X0-X

### Description

Line powered, infrared sensor activated, electronic, chrome plated die cast body, integrated base hand washing faucet for pre-tempered or hot and cold water operation.

### Flow Rates

- 0.5 gpm/1.9 Lpm Multi-Lam Spray
- 1.5 gpm/5.7 Lpm Aerated Stream
- 1.5 gpm/5.7 Lpm Laminar Stream

### Specifications

Line Powered, Sensor Activated, Electronic, Chrome Plated Die Cast Body, Hand Washing Faucet with the following features:

- Above deck solenoid valve
- One tool service
- All wetted components to be stainless steel, engineered thermoplastic, EPDM, and copper or copper alloy
- Solenoid housed in removable carrier that includes supply strainer
- Integral above deck water supply shut off
- Supply strainer serviceable from above deck
- Vandal resistant spray insert, key housed inside faucet body
- All electronics sealed to IP-67
- Gold plated electrical contacts
- Above deck individual diagnostic indicators for battery life, solenoid condition, and power-up mode
- Flexible, high pressure supply hose, 3/8" compression connection (NOTE: Only single supply)
- Bi-stable magnetic solenoid
- Four (4) "AA" alkaline batteries
- Double infrared sensors with automatic setting feature
- Integral 4-inch base for ultimate anti-rotation
- Includes all mounting hardware
- Line Purge mode, eliminates stagnant water
- Adjustable time-outs and sleep/cleaning mode
- High temperature auto shut-off (LCD models)
- Faucet can be configured to add solar and/or LCD display
- LCD display of water temperature and scrub time, optional
- Line powered using a variety of voltage adapters (batteries act as back-up)
- Thermostatic, below deck for ASSE 1070 compliance, optional



EFX-600.000.0000 Shown

### BASYS Spec Language

Sloan BASYS Model No. EFX-600.\_\_\_\_\_. Infrared Sensor Activated Electronic Handwashing Faucet for pre-tempered or hot/cold water supplies. Solenoid valve housed in removable carrier that closes water supply upon removal, eliminating need to access control stops. Solenoid carrier includes mesh filter for easy access and service without disconnecting the supply lines. Thermostatic mixer ordered separately to comply with ASSE 1070 requirements. The product shall be tested and certified to industry standards: ASME A112.18.1M, CSA B125.1, California Health and Safety Code 116875 (AB1953-2006), and Vermont Bill S.152. This product meets ADA ANSI/ICC A117.1 requirements.

### Model Creation Guide

EFX-600. X 0 X . 0 0 X 0 . X

|   | Mix   | Sensing   | Flow Rate  | Battery Type | Base Plate | Voltage Adapters                    | Drain Pop-Up | Finishes                       |
|---|---|-----------|--|--------------|------------|-------------------------------------|--------------|--------------------------------|
| 0 | <input type="checkbox"/> None                     | Active IR | <input type="checkbox"/> 0.5 gpm Multi-Lam         | Alkaline     | None       | <input type="checkbox"/> None       | No           | <input type="checkbox"/> CP    |
| 1 | <input type="checkbox"/> Below Deck, Mechanical   | -         | -  | -            | -          | <input type="checkbox"/> Plug-In    | -            | <input type="checkbox"/> PVDSF |
| 2 | <input type="checkbox"/> Below Deck, Thermostatic | -         | <input type="checkbox"/> 1.5 gpm Aerated & Laminar | -            | -          | <input type="checkbox"/> Plug-In UK | -            | -                              |
| 3 | -   | -         | -  | -            | -          | <input type="checkbox"/> Plug-In EU | -            | -                              |
| 4 | -   | -         | -  | -            | -          | <input type="checkbox"/> Box Mount  | -            | -                              |

### Accessories (Ordered Separately)

- EAF-23 Splitter (included in hardware less adapter)
- EAF-24-A 11-13/16" Extension Cable
- EAF-25-A 47-1/4" Extension Cable
- EAF-17-A 126" Extension Cable

### Warranty

3 year (limited)



# EFX-600-00X-00X0-X

## Description

Line powered, sensor activated, electronic, chrome plated die cast body, integrated base hand washing faucet for pre-tempered or hot and cold water operation.

## Flow Rates

- 0.5 gpm/1.9 Lpm Multi-Lam Spray
- 1.5 gpm/5.7 Lpm Aerated Stream
- 1.5 gpm/5.7 Lpm Laminar Stream

## ELECTRICAL SPECIFICATIONS

### Control Circuit

6.75 VDC

### Battery Life

5-years under worst case conditions of 8,000 cycles per month and high water pressure. Optional power harvesting may extend service life of batteries to equal the shelf life.

### Sensor Range

Nominal: 4"-5" (102 mm-127 mm)  
Faucet Adaptive Self-Adjustment  
Range: 1"-6" (25 mm-150 mm)

### Solenoid Valve

Filtered Solenoid Valve with Serviceable Strainer Filter

### Power Supplies

- 6 VDC Solar Energy Module with 6 VDC Alkaline Battery Pack
- 120 VAC/6.75 VDC Voltage Adapter (Option) Batteries Act as Back-up Shown with EFX-600.000.0000

### Optional Voltage Adapter

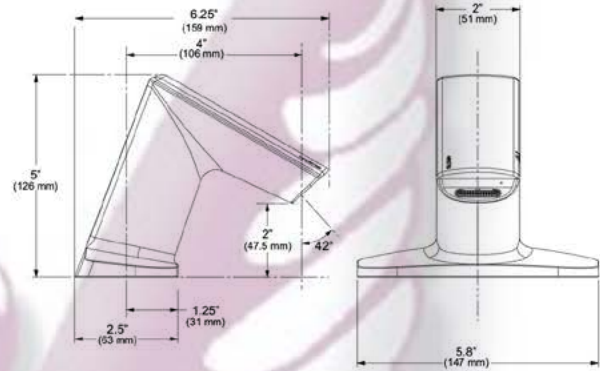
120 VAC – 50/60 Hz, 6 VDC

### Time Out Setting

30 seconds — Maximum time faucet will run upon continuous detection

**Can combine up to six (6) faucets on one voltage adapter**

## DIMENSIONS

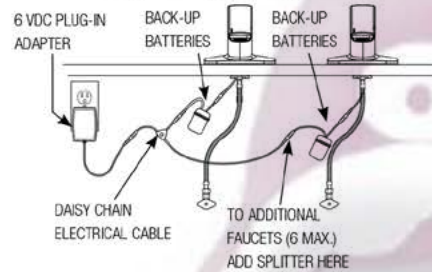


## OPERATION

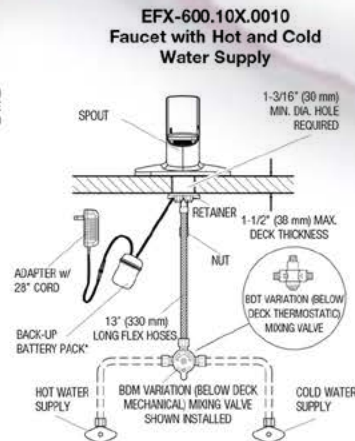
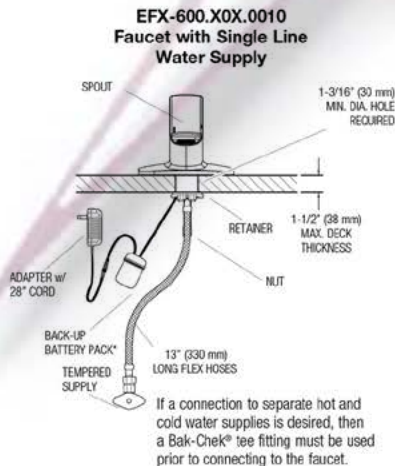
1. A continuous, invisible light beam is emitted from the sensor located at the front of the hand washing faucet.
2. As the user's hands enter the beam's effective range, the beam is reflected back into the sensor receiver and activates the solenoid valve allowing water to flow from the faucet. Water will flow until the hands are no longer sensed or until the faucet reaches its automatic time out limit setting.
3. When hands are moved away from the sensor, the loss of reflected light initiates an electrical signal that closes the solenoid valve shutting off the water flow. The circuit then automatically resets and is ready for the next user.



## Electrical Connection for up to Six (6) Faucets Using One (1) Voltage Adapter



## ROUGH-IN DIAGRAMS



\* One (1) Faucet Per Battery Pack

