

# ALIGN™ Technical Specification

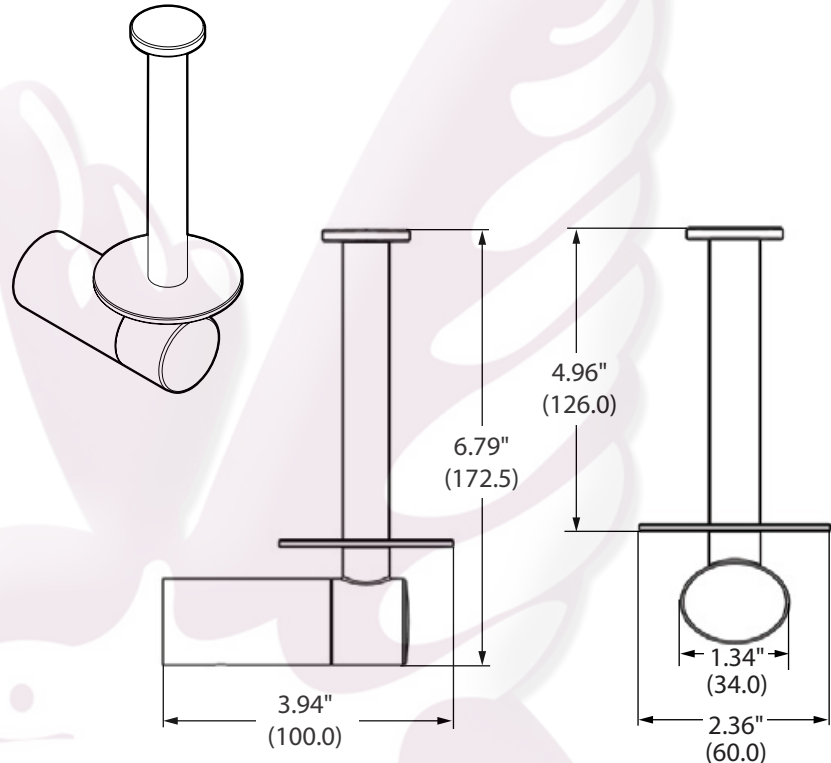
## Single Post Paper Holder

YB0409

### Stock Numbers:

- YB0409CH – Single Post Paper Holder  
Chrome Finish
- YB0409BN – Single Post Paper Holder  
Brushed Nickel Finish
- YB0409BL – Single Post Paper Holder  
Matte Black Finish

### Dimensions:



### Materials:

Single Post Paper Holder is constructed of zinc.

### Installation Instructions:

Note: Directions below are for installation into drywall. If installing product into a stud, use the wood screws only.

- 1 Remove mounting posts from the product assemblies by loosening each setscrew.
- 2 Position the mounting plate on the wall in the desired location and mark holes at the Horizontal screw location on the template if installing into drywall or vertical screw location if installing into a stud.
- 3 Drill 1/4" pilot holes in marked locations.
- 4 Lightly tap anchors until flush with the wall.
- 5 Place each mounting plate over anchors and insert screws through post into anchors.
- 6 Tighten screws.
- 7 Place posts over the mounting plates with setscrew facing down and tighten setscrew.

### Cleaning Instructions:

To preserve the fine finish of this product, clean only with a soft damp cloth. Dry well. Do not use commercial or abrasive cleaners.

Stock Number: \_\_\_\_\_ YB0409 Single Post Paper Holder  
By MOEN



Buy it for looks. Buy it for life.®