

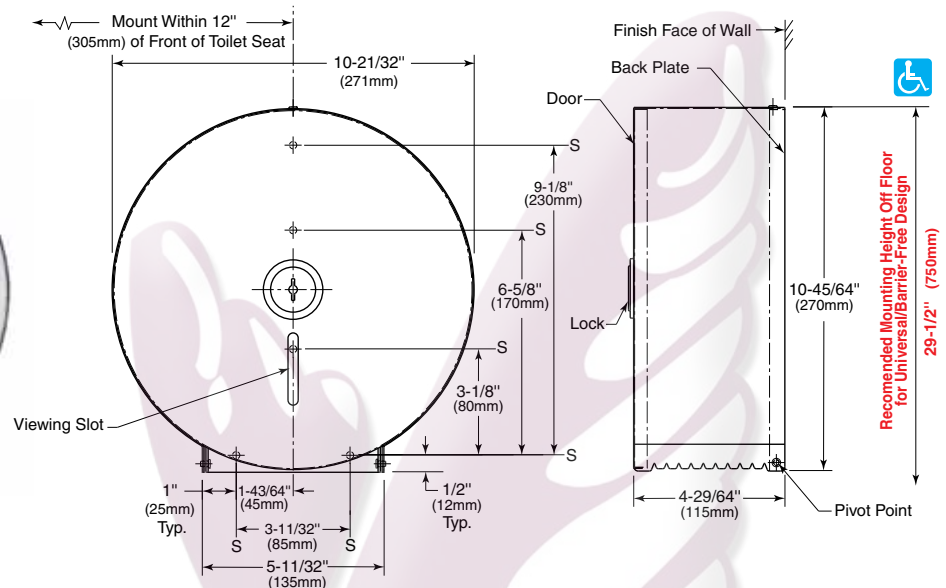


Technical Data

SURFACE-MOUNTED SINGLE JUMBO-ROLL TOILET TISSUE DISPENSER



B-2890



MATERIAL:

Mounting Plate — 16-gauge (1.6mm) steel with powder-coated finish.

Door — Type-430, 22-gauge (0.8mm) stainless steel with satin-finish. Slot reveals toilet tissue supply inside cabinet. Equipped with a lock not keyed like other Bobrick Washroom Equipment accessories.

Spindle — Removable plastic spindle adapter converts to smaller spindle. Fixed inner spindle, 20 gauge (0.9mm) steel with powder coated finish.

OPERATION:

Door unlocks with key provided and swings down for loading dispenser. Spindle adapter accommodates one toilet tissue roll up to 10" (255mm) diameter with 3" (75mm) core, or remove the plastic spindle adapter to accommodate a 1-5/8" (40mm) diameter core roll. Rubber o-rings (2) (furnished by manufacturer) may be added to the steel inner spindle to accommodate a 2-1/8" (55mm) diameter core roll. Wide viewing slot in door reveals the amount of toilet tissue on roll. Unit is designed for quick reloading.

INSTALLATION:

Mount unit on wall or toilet partition with five sheet-metal screws (not furnished) at points indicated by an S. Rear edge of unit should be 20" (510mm) from back wall. This locates toilet tissue within 12" (305mm) of front of standard toilet that projects 30" (305mm) from back wall.

For plaster or dry wall construction, provide concealed backing to comply with local building codes, then secure with sheet-metal screws (not furnished). For other wall surfaces, provide fiber plugs or expansion shields for use with sheet-metal screws (not furnished), or provide 6mm (1/4") toggle bolts or expansion bolts.

For partitions with particle-board or other solid core, secure with sheet-metal screws (not furnished), or provide through-bolts, nuts, and washers. For hollow-core metal partitions, provide solid backing into which the sheet-metal screws can be secured. If two units are installed back-to-back, then provide threaded sleeves and machine screws for the full thickness of partition.

SPECIFICATION:

Single jumbo-roll toilet tissue dispenser door shall be 22-gauge (0.8mm) stainless steel with satin-finish. Door shall be equipped with a lock not keyed like other Bobrick washroom accessories. Door shall have a slot to reveal toilet tissue supply inside cabinet. Spindle adapter shall accommodate one toilet tissue roll up to 10" (255mm) diameter with 3" (75mm) core. Spindle shall be convertible in the field to dispense a 1-5/8" (40mm) diameter core roll by removing plastic spindle adapter. Spindle shall be convertible in the field to dispense a 2-1/8" (55mm) diameter core roll by adding rubber o-rings (2) furnished. Manufacturer's service and parts manual shall be provided to the building owner/manager upon request.

Single Jumbo-Roll Toilet Tissue Dispenser shall be Model B-2890 of Bobrick Washroom Equipment, Inc., Clifton Park, New York; Jackson, Tennessee; Los Angeles, California; Bobrick Washroom Equipment Company, Scarborough, Ontario; Bobrick Washroom Equipment Pty. Ltd., Australia; and Bobrick Washroom Equipment Limited, United Kingdom.

Tel.8375.0992/93, 8372.3713/14/15

Prol.Ruiz Cortines #307 Pte. Col.Paseo de Cumbres Mty N.L. C.P.64346

www.colibrimty.com



colibrimty