



PALMER FIXTURE
FULL LINE
PRODUCT CATALOG

A Centennial of Quality *and Beyond.*



Quality Since 1907.

Table of Contents

4	History of Palmer	6	Product Catalog Key
6	LEED Information	7	ADA Compliancy
8	Touchless Hand Dryers	17	Custom BluStorm
18	Touchless Roll Towel Dispensers	20	Pad Printing
21	Roll Towel Dispensers	22	Folded Towel Dispensers
23	Markets Served	24	Jumbo Tissue Dispensers
26	Standard Tissue Dispensers	28	Bulk Soap Dispensers
31	Bulk Liquid Soap Dispensers	32	Sani Suds®
34	Signs, Safety & Maintenance	36	Napkin Dispensers
38	Keys	39	Company Information

THE HISTORY

— OF PALMER FIXTURE —

1907
FOUNDED
The Palmer Company was founded by J. Frederick Palmer in Waukesha, WI

1915
SOAP DISPENSER
Palmer Fixture patented a Liquid Soap Dispenser in the popular "globe" style

1928
POWER ACTUATED SOAP DISPENSER
Palmer Fixture patented a power actuated soap dispenser - one of the first of its kind!

1939
SOAP DISPENSER
Palmer Fixture patented a Liquid Soap Dispenser in the popular "globe" style

1945
FIRST ISSA
Palmer participated in their 1st ISSA Trade Show. Palmer has been an exhibitor for 70 consecutive years.

1982
RELOCATED
Palmer Fixture was purchased by Roy Bruss, and relocated to Germantown, WI.

1999
NEW PRODUCTS
Siggi Witt purchased the company, and significantly expanded the product offering.

2004
GREEN BAY, WI
Palmer Fixture relocated to Green Bay, WI, where it's still located today.

2007
A CENTENNIAL OF SUCCESS
Palmer Fixture celebrated 100 YEARS in business!

2012
BETTER TOGETHER
Palmer combined operations with Alwin Manufacturing and Deluxe Plastics.

1,197,918
J. F. PALMER,
ROLL PAPER HOLDER.
APPLICATOR FILED AUG. 16, 1914. Patented Feb. 9, 1915.

1,819,382
J. F. PALMER
DISPENSER
Filed June 11, 1928 2 Sheets-Sheet 1
Aug. 18, 1931.

100 YEARS
Quality Since 1907


ALWIN
DELUXE Plastics
PALMER FIXTURE

Product Catalog Key

Watch for these icons throughout the catalog to indicate product details:

-  Eco-Friendly Product
-  ADA Compliant Product
-  Pad Printing Available
-  Product Made in the U.S.A.

Product Color Key:

- | | | |
|--|---|---|
|  (01) Dark Translucent |  (11) Brushed Chrome |  (17) White |
|  (02) Black Translucent |  (12) Bright Chrome |  (18) Green |
|  (03) White Translucent |  (13) Brushed Steel |  (19) Yellow |
|  (08) Platinum |  (15) Blue |  (21) Grey |
|  (09) Brushed Stainless |  (16) Black |  (22) Red |

LEED Credit Information

What is LEED?

LEED, or Leadership in Energy & Environmental Design, is a green building certification program that recognizes best-in-class building strategies and practices. To receive LEED certification, building projects satisfy prerequisites and earn points to achieve different levels of certification. Prerequisites and credits differ for each rating system, and teams choose the best fit for their project.



Which Palmer Fixture Products earn credits?

The **BluStorm® High Speed Hand Dryer** (pg. 12) earns LEED Credits for **EAc1: Optimize Energy Performance** and **EAp2: Minimum Energy Performance**

The **EcoStorm® High Speed Hand Dryer** (pg. 14) earns LEED Credits for **EAc1: Optimize Energy Performance** and **EAp2: Minimum Energy Performance**

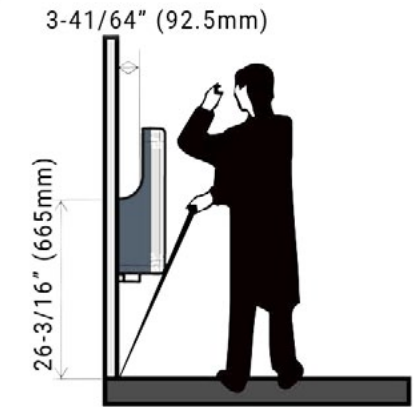
For more information on the LEED Program and detailed requirements, visit www.usgbc.org/leed

ADA Compliant Products

The Americans with Disabilities Act (ADA) defines the accessible requirements for the design and construction of washroom space in the United States. Detailed below are examples of the ADA installation requirements for hand dryers.

As for the visually impaired, Rule 4.4.1 states:

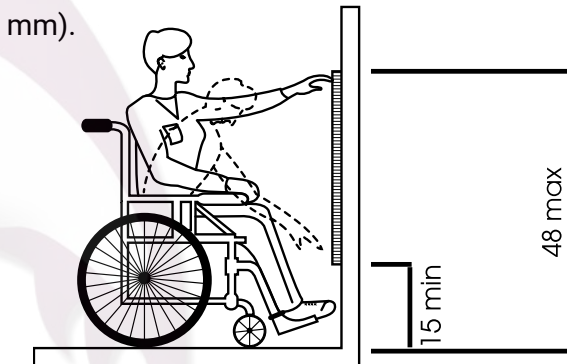
Objects projecting from walls (for example, telephones) with their leading edges between 27 and 80 inches (685 mm and 2020 mm) above the finished floor shall protrude no more than 4 inches (100 mm) into walks, halls, corridors, passageways, or aisles. Objects mounted with their leading edges at or below 27 inches (685 mm) above the finished floor may protrude any amount.



According to ADA Regulation 4.2.5, concerning forward reach:

If the clear floor space only allows forward approach to an object, the maximum high forward reach allowed shall be 48 inches (1220 mm). The minimum for low forward reach is 15 inches (380 mm).

ADA Accessibility Guidelines (as measured from finished floor)	
Forward Reach Ranges - Unobstructed	
48" H max.	15" H min.



The above information is for informational purposes only and not intended to be an alternative to the ADA Accessibility Guidelines or specifications. For complete information on current ADA requirements, visit www.ada.gov

The **iStorm2** high speed hand dryer. This intuitive high speed hand dryer dries hands in 10 seconds. Users dry their hands in a natural comfortable position without water splash-back. The **iStorm2** utilizes water absorbing ceramic technology eliminating water overflow preventing hazardous wet floors. The **iStorm2** has an airspeed adjustment, on-off heater switch, and dual-color LED sensor indicators for a superior hand-dry.



LED Sensor
allows user to maximize the dryers efficiency



Super 3-Layer Filter
HEPA, carbon, anti-microbial filter eliminates over 99% of airborne bacteria



Removable Drip Tray
optional for high volume areas

Antibacterial Coating
inhibits and reduces the ability for micro-organisms to grow

Innovative Absorbent Ceramic Plate (optional)
captures water runoff and keeps floors safe and dry

Adjustable Air Speed
for customizable settings that will maximize efficiency

On/Off Heater Switch



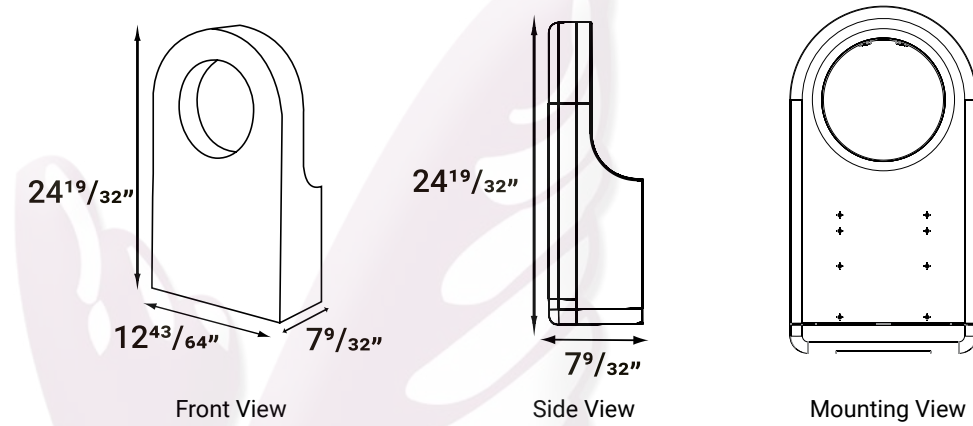
Technical Specifications

Model #	Color
HD0983-08, HD0984-08, HD0985-08	Platinum
HD0983-16, HD0984-16, HD0985-16	Black
HD0983-17, HD0984-17, HD0985-17	White
Width: 12-43/64" Height: 24-19/32" Depth: 7-9/32"	
Weight: 23.8 lbs Sound Level: 65dB - 78dB MAX	
Material: Polycarbonate ABS (ION+)	
Motor Type: 1HP, 350-700 Watts	
Thermal Protection:	
	Motor Shuts Off at 275°F (135°C)
	Heater Shuts Off at 288°F (142°C)
Operating Airflow: 19,476 LFM, Adjustable	
Air Output Temperature:	
	140°F (60°C)
	Ambient Temperature 68°F (20°C)
Isolation: Class 1 Drip Proof: IP23	
Watts: 1600W (700W w/ heater off)	
RPM: 11,000 - 20,000, Adjustable	
Voltage & Amps:	
HD0983	110/120 Volts 12.2-13.3 Amps
HD0984	208/220 Volts 5.7-6.6 Amps
HD0985	277 Volts 6.6 Amps

Mounting Heights

from bottom of dryer to the finished floor

Men	26-1/6"
Women	23-5/64"
Children (4-10)	9-59/64"
Children (11-16)	15-5/64"
Disabled	13-5/8"

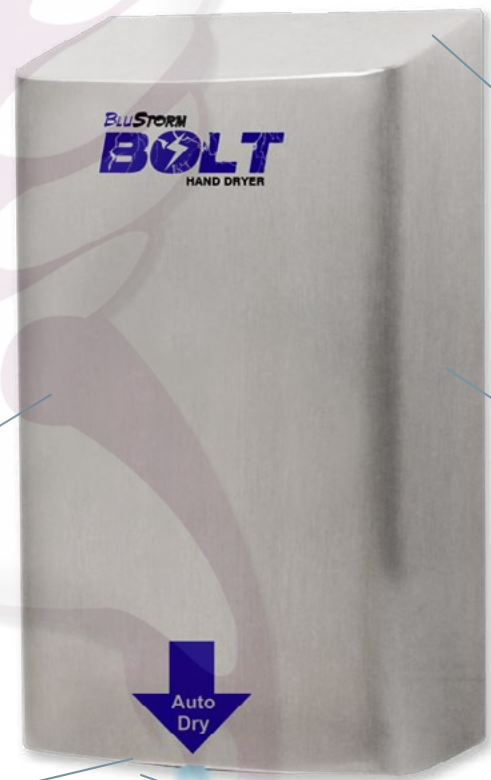


10 - 15 SECOND DRY TIME
ADA COMPLIANT
 HYGIENIC ERGONOMIC
HEPA FILTER ION+ COATING
 LED SENSOR
 POWERFUL PERFORMANCE





The **BluStorm Bolt** offers patented dual air outlets and quiet operation. The wide drying area with blue action light makes for an efficient 10-15 second hand drying experience. The **BluStorm Bolt** has a small footprint, protruding less than 4" from the wall. With a smooth appearance and hidden cover screws, the **BluStorm Bolt** is an attractive and efficient hand drying option.



Truly ADA Compliant
protrudes less than 4" from the wall

One Piece Cover
with cover screws on the bottom

Brushed Stainless
for a sleek, smooth appearance

Wide Drying Area
for maximum drying efficiency

Blue Light Technology
to indicate sensor range

Patented Parallel Dual Air Outlets
for high efficiency and quiet operation

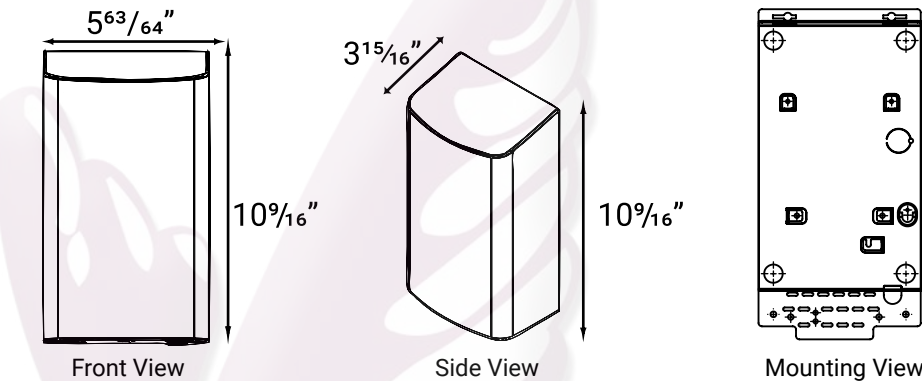
Technical Specifications

Model #	Color	
HD0923-09	Brushed Stainless	
HD0924-09	Brushed Stainless	
Width: 5-63/64"	Height: 10-9/16"	Depth: 3-15/16"
Weight: 8.4 lbs	Sound Level: 76.2dB	
Material: Stainless Steel		
Motor Type: 11/16HP, Brush Type, Dual Ball Bearings		
Thermal Protection:		
Motor Shuts Off at 275°F (135°C)		
Heater Shuts Off at 185°F (85°C)		
Operating Airflow: 21,243 LFM		
Air Output Temperature:		
131°F (55°C), Adjustable		
Ambient Temperature 77°F (25°C)		
Isolation: Class 1 Drip Proof: IP23		
Watts: 900W (450W w/ heater off)		
RPM: 16,000 - 29,000, Adjustable		
Voltage & Amps:		
HD0923	110/120 Volts 4.17-8.33 Amps	
HD0924	220/240 Volts 1.91-3.82 Amps	

Mounting Heights

from bottom of dryer to the finished floor

Men	50"
Women	47"
Children (4-7)	35"
Children (8-10)	39"
Children (11-13)	43"
Children (14-16)	47"
Disabled	40"



POWERFUL PERFORMANCE
10 - 15 SECOND DRY TIME
ADA COMPLIANT
BLUE LIGHT TECHNOLOGY
ULTRA THIN 4" PROFILE
4 AMP OPERATION WITH HEATER TURNED OFF



With advancements in technology and improvements to hand dryers, more people are switching from paper towel due to the environmental benefits, cost savings, and hygiene. Multiple studies have shown that airborne bacteria is not spread when using hand dryers. Our stainless steel **BLUStorm High Speed Hand Dryer** provides a 95% cost savings versus paper towels.



Recessed Design
to make the HD0955
ADA Compliant

Brushed Stainless
for a sleek, smooth
appearance

**Wide Drying
Area**
for optimal hand
drying experience

**Optional
Custom Cover**
on HD0950 & HD0951

**Blue Light
Technology**
to indicate
sensor range

Tel.8375.0992/93, 8372.3713/14/15

Prol.Ruiz Cortines #307 Pte. Col.Paseo de Cumbres Mty N.L. C.P.64346

www.colibrimty.com colibrimty

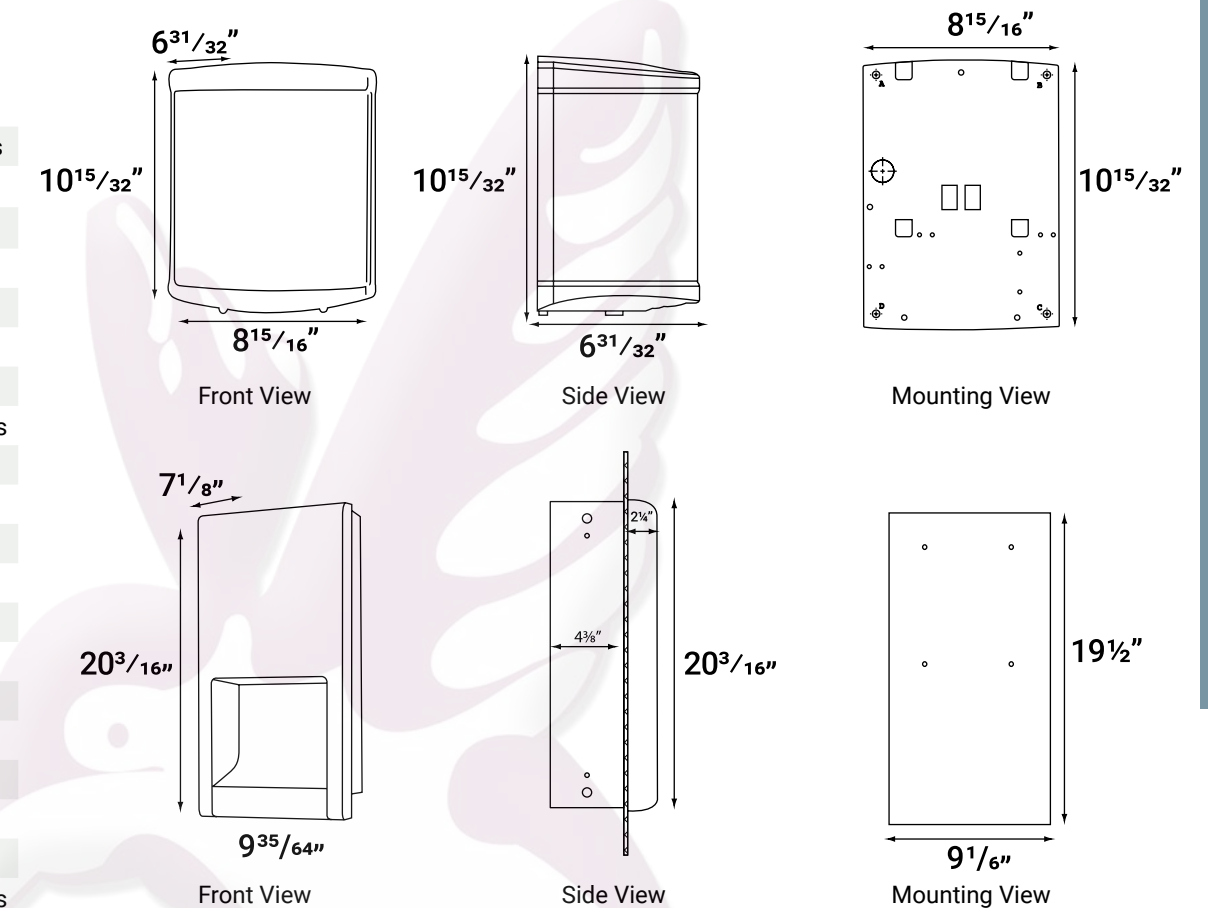
Technical Specifications

Model #	Color	
HD0950-09, HD0951-09	Brushed Stainless	
Width: 8-15/16"	Height: 10-15/32"	Depth: 6-31/32"
Weight: 12.8 lbs	Sound Level: 77±3dB	
HD0955-09	Brushed Stainless	
Width: 9-35/64"	Height: 20-3/16"	Depth: 7-1/8"
Weight: 20.7 lbs	Sound Level: 77±3dB	
Material: Stainless Steel		
Motor Type: 15/16HP, 700W Brush Type, Dual Ball Bearings		
Thermal Protection:		
Motor Shuts Off at 275°F (135°C)		
Heater Shuts Off at 221°F (105°C)		
Operating Airflow: 19,860 LFM, Adjustable		
Air Output Temperature:		
113°F (45°C)		
Ambient Temperature 68°F (20°C)		
Isolation: Class 1 Drip Proof: IPX1		
Watts: 1600W		
RPM: 12,000 - 18,000, Adjustable		
Voltage & Amps:		
HD0950, 955	110/120 Volts	12.5-13.4 Amps
HD0951	220/240 Volts	8-8.5 Amps

Mounting Heights

from bottom of dryer to the finished floor

Men	43"
Women	41"
Children (3-10)	33"
Children (11-18)	39"
Disabled	35"



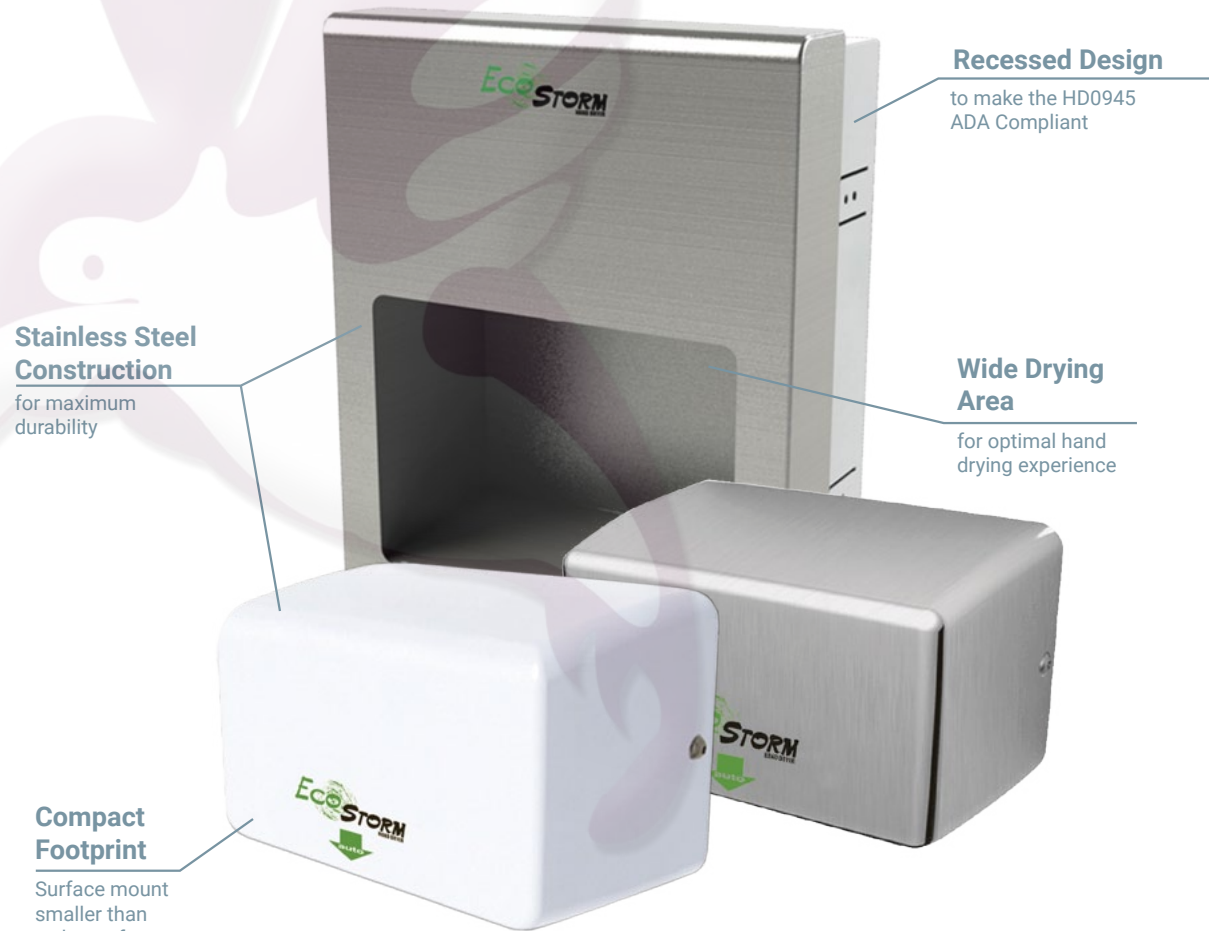
95% COST SAVINGS VERSUS USING PAPER TOWELS
10 - 15 SECOND DRY TIME
ADA COMPLIANT
 FAST DRYING WITH LESS NOISE
BLUE LIGHT TECHNOLOGY

Tel.8375.0992/93, 8372.3713/14/15

Prol.Ruiz Cortines #307 Pte. Col.Paseo de Cumbres Mty N.L. C.P.64346

www.colibrimty.com colibrimty

Due to the environmental benefits, cost savings, and hygiene, many users are making the switch from paper towels to hand dryers. The **EcoStorm®** operates at only 1000 Watts, using 90% less energy than conventional dryers, and offers a 97% cost savings versus paper towels! The new and improved **EcoStorm Hush** is one of the quietest hand dryers in the industry!



Tel. 8375.0992/93, 8372.3713/14/15
 Prol. Ruiz Cortines #307 Pte. Col. Paseo de Cumbres Mty N.L. C.P.64346
 www.colibrimty.com colibrimty

Technical Specifications

Model #	Color	
HD0940-09, HD0941-09	Brushed Stainless	
HD0940-09, HD0941-17	White	
Width: 9-27/32"	Height: 7-3/32"	Depth: 5-29/64"
Weight: 8.4 lbs	Sound Level: 63.5dB	
HD0945-09	Brushed Stainless	
Width: 10-45/64"	Height: 15-17/32"	Depth: 5-1/2"
Weight: 15.4 lbs	Sound Level: 63.5dB	
Material: Stainless Steel		
Motor Type: 3/4HP, 500W Brush Type, Dual Ball Bearings		
Thermal Protection:		
Motor Shuts Off at 221°F (105°C)		
Heater Shuts Off at 282°F (139°C)		
Operating Airflow: 17,752 LFM, Adjustable		
Air Output Temperature:		
131°F (55°C)		
Ambient Temperature 77°F (25°C)		
Isolation: Class 1 Drip Proof: IPX1		
Watts: 1000W		
RPM: 29,000, Adjustable		
Voltage & Amps:		
HD0940, 945	110/120 Volts	8.4-10.5 Amps
HD0941	220/240 Volts	4.2-5.5 Amps

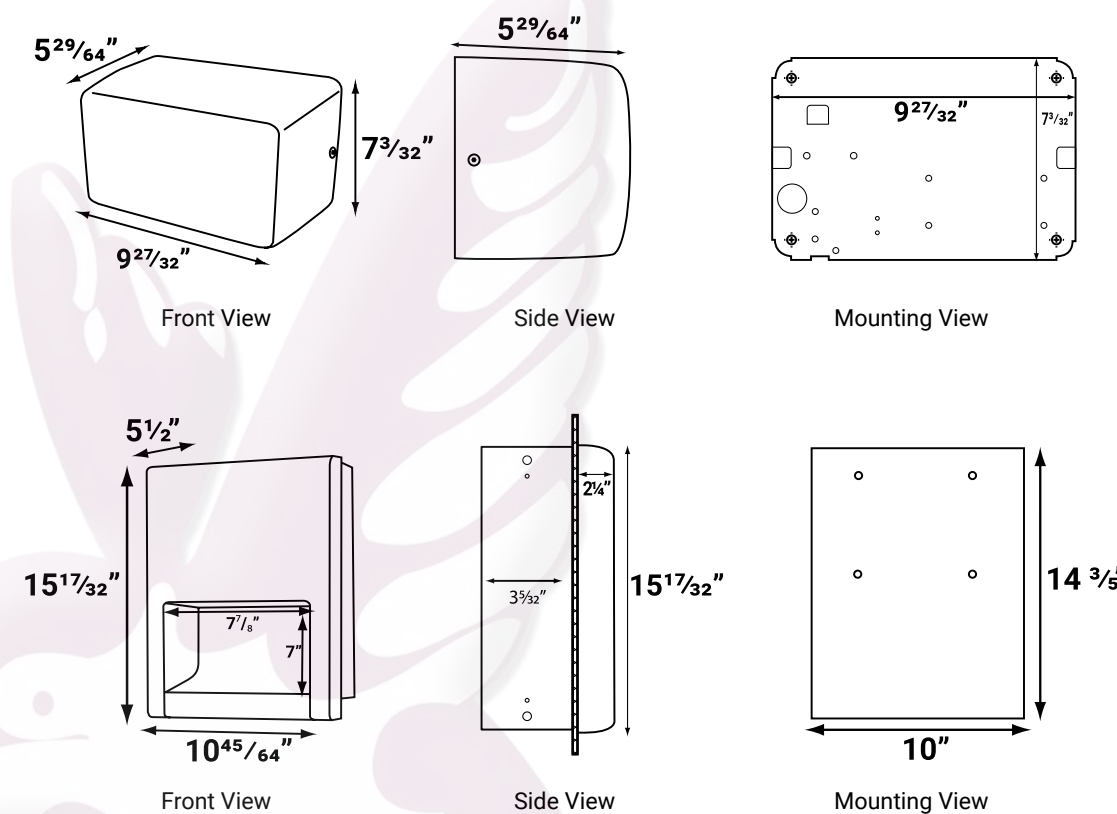
Mounting Heights

from bottom of dryer to the finished floor

Men	40"
Women	38"
Children (4-7)	32"
Children (8-10)	34"
Children (11-13)	36"
Children (14-16)	38"
Disabled	34"



Tel. 8375.0992/93, 8372.3713/14/15
 Prol. Ruiz Cortines #307 Pte. Col. Paseo de Cumbres Mty N.L. C.P.64346
 www.colibrimty.com colibrimty



10 - 15 SECOND DRY TIME
97% COST SAVINGS VERSUS USING PAPER TOWELS
ADA COMPLIANT
ULTRA QUIET AT 63.5dB
 UNITS ARE MANUFACTURED WITH RECYCLED MATERIALS



Electra Electronic Touchless Roll Towel Dispenser Model: TD0245

Model #	Color
TD0245-01	Dark Translucent
TD0245-02	Black Translucent
TD0245-03	White Translucent
TD0246-01	Dark Translucent
TD0246-02	Black Translucent

Width: 11-1/4" **Height:** 15" **Depth:** 9-1/2"
Weight: 7 lbs **Key Type:** 1
Capacity: Roll Towel 8" W & 8" D, 2-3/4" Stub (1-1/2" Core)



INSPIRE Electronic Touchless Roll Towel Dispenser Model: TD0235

Model #	Color
TD0235-01	Dark Translucent
TD0235-02	Black Translucent
TD0235-03	White Translucent

Width: 11-1/2" **Height:** 13-3/8" **Depth:** 8-1/2"
Weight: 4 lbs **Key Type:** 1
Capacity: Roll Towel 8" W & 8" D (1-1/2" Core)



Mechanical Auto-Cut Roll Towel Dispenser Model: TD0201

Model #	Color
TD0201-01	Dark Translucent
TD0201-02	Black Translucent
TD0201-03	White Translucent

Width: 11-1/2" **Height:** 15-1/4" **Depth:** 9"
Weight: 4 lbs **Key Type:** 1
Capacity: Roll Towel 8" W & 8" D (1-1/2" Core)



Electronic Hands-Free Roll Towel Dispenser Model: TD0234


Model #	Color
TD0234-01	Dark Translucent
TD0234-02	Black Translucent
TD0234-03	White Translucent

Width: 11-1/2" **Height:** 11-1/2" **Depth:** 7-3/4"
Weight: 4 lbs **Key Type:** 1
Capacity: Roll Towel 8" W & 6" D (1-1/2" Core)

Pad Printing

Palmer Fixture offers several customizable dispensers. Your logo will surely stand out when printed in our metallic silver ink. Logos are printed on the bottom center of the dispenser cover. The logo can be up to 2.5 inches wide, with a height of up to 1.5 inches. Our Made in the U.S.A. dispensers provide a consistent, first-class quality offering to you and your customers.

Add your logo today for a one of a kind look!

Look for the  throughout this catalog to indicate which dispensers are available for customization.

How to Get YOUR Logo on Palmer Dispensers

Contact us via email at info@palmerfixture.com or by calling 1-800-558-8678 for a quote.



Dispensers Available for Customization

Toilet Tissue Dispensers	Model #	Towel Dispensers	Model #
Single 9" Tissue 3-3/8" Core	RD0026-01/02	Multi/C-Fold Towel Dispenser	RD0175-01
Twin 9" Tissue 3-3/8" Core	RD0027-01/02	Multifold Towel Dispenser	TD0179-01/02
13" Tissue Roll Dispenser	RD0330-01/02	Roll Towel Economy Lever	TD0210-01
Two-Roll Standard Tissue Dispenser	RD0025-01	Pushbar Towel Dispenser	TD0215-01/02
Two-Roll Standard Tissue Dispenser	RD0028-01	Impress Lever Roll Towel Dispenser	TD0220-01/02
Mini-Twin Standard Tissue Dispenser	RD0321-01/02	Centerpull Self Adjusting Dispenser	TD0255-01/02
		InSpire Electronic Hands-Free Dispenser	TD0235-01/02
		Electra Automatic Roll Towel Dispenser	TD0245-01/02
		Hands-Free Auto-Cut Roll Towel Dispenser	TD0201-01/02
Soap & Foam Dispensers	Model #	Toilet Seat Cover Dispensers	Model #
Manual Bulk Soap Dispenser 30oz	SD0030-01	Toilet Seat Cover Dispenser	TS0142-01
Manual Bulk Soap Dispenser 46oz	SD0046-01		
Manual Bulk Foam Soap Dispenser 30oz	SF2144-01		
Manual Bulk Foam Soap Dispenser 46oz	SF2135-01		
Automatic Sani Suds Dispenser	SF0305-01/02		
Manual Sani Suds Dispenser	SF0407-01/-02		

List subject to change.



Impress Lever Roll Towel Dispenser Model: TD0220

Model #	Color
TD0220-01	Dark Translucent
TD0220-02	Black Translucent
TD0220-03	White Translucent
Width: 11-3/4"	Height: 13-3/4" Depth: 9"
Weight: 4 lbs	Key Type: 1
Capacity: Roll Towel 8" W & 8" D (1-1/2" Core)	



Auto-Transfer Push Bar Roll Towel Dispenser Model: TD0215

Model #	Color
TD0215-01	Dark Translucent
TD0215-02	Black Translucent
TD0215-03	White Translucent
Width: 10-1/2"	Height: 15-1/2" Depth: 7-3/4"
Weight: 9 lbs	Key Type: 1
Capacity: Roll Towel 8" W & 8" D, 2-3/4" Stub (1-1/2"-2" Core)	



Push Lever Roll Towel Dispenser Model: TD0210

Model #	Color
TD0210-01	Dark Translucent
Width: 10-1/2"	Height: 15-1/2" Depth: 8-3/4"
Weight: 7 lbs	Key Type: 1
Capacity: Roll Towel 8" W & 8" D (1-1/2"-2" Core)	



Self-Adjusting Centerpull Roll Towel Dispenser Model: TD0255

Model #	Color
TD0255-01	Dark Translucent
TD0255-02	Black Translucent
Width: 10-1/4"	Height: 12-1/4" Depth: 10-1/4"
Weight: 3.5 lbs	Key Type: 1
Capacity: Roll Towel 9" W & 9" D (maximum size)	



Multifold/C-Fold Towel Dispenser Model: TD0170

Model #	Color	
TD0170-17	White	
TD0170-13	Brushed Steel	
TD0170-12	Bright Chrome	
Width: 11-1/4"	Height: 15-1/4"	Depth: 3-3/4"
Weight: 6.33 lbs	Key Type: 1	
Capacity: 540 Multifold or 350 C-Fold Towels		



Multifold/C-Fold Towel Dispenser Model: TD0175

Model #	Color	
TD0175-01	Dark Translucent	
TD0175-03	White Translucent	
Width: 11-1/4"	Height: 15-1/4"	Depth: 5"
Weight: 5 lbs	Key Type: 1	
Capacity: 540 Multifold or 350 C-Fold Towels		



Plastic Multifold Towel Dispenser Model: TD0179

Model #	Color	
TD0179-01	Dark Translucent	
TD0179-02	Black Translucent	
TD0179-03	White Translucent	
Width: 11"	Height: 16"	Depth: 4-1/2"
Weight: 2.17 lbs	Key Type: 1	
Capacity: 540 Multifold or 350 C-Fold Towels		



ExiTowel Mini-Fold Towel Dispenser Model: TD0177

Model #	Color	
TD0177-02	Dark Translucent	
TD0177-02	Black Translucent	
TD0178-01	Dark Translucent Starter Pack	
TD0178-02	Black Translucent Starter Pack	
Width: 5-1/2"	Height: 11-1/4"	Depth: 4"
Weight: 2 lbs	Key Type: 1	
Capacity: 500 Mini-Fold Towels		



Products for YOUR Market

Palmer Fixture knows that the Jan-San Market is far reaching. We want to help meet your needs wherever our product may be going!





Stainless Twin 9" Jumbo Roll Tissue Dispenser Model: RD0327

Model #	Color
RD0327-09	Brushed Stainless
Width: 20-1/4"	Height: 11-3/4" Depth: 5-1/2"
Weight: 7.75 lbs	Key Type: 1
Capacity: Two 9" Rolls (2-1/4"-3-3/8" Core)	



Twin 9" Jumbo Roll Tissue Dispenser Model: RD0027

Model #	Color
RD0027-01	Dark Translucent
RD0027-02	Black Translucent
RD0027-03	White Translucent
RD0027-01F	Dark Translucent
RD0027-02F	Black Translucent
RD0027-03F	White Translucent
Width: 20-1/4"	Height: 11-1/4" Depth: 5-1/2"
Weight: 4.5 lbs	Key Type: 1
Capacity: Two 9" Rolls (2-1/4"-3-3/8" Core)	



Single 9" Jumbo Roll Tissue Dispenser with Stub Roll Model: RD0024

Model #	Color
RD0024-01F	Dark Translucent
RD0024-02F	Black Translucent
RD0024-03F	White Translucent
Width: 16-1/4"	Height: 11-1/2" Depth: 5-1/4"
Weight: 3 lbs	Key Type: 1
Capacity: 9" Roll & Stub Roll (2-1/4" w/ 3-3/8" Adaptor)	



Single 9" Jumbo Roll Tissue Dispenser Model: RD0026

Model #	Color
RD0026-01	Dark Translucent
RD0026-02	Black Translucent
RD0026-03	White Translucent
RD0026-01F	Dark Translucent
RD0026-02F	Black Translucent
RD0026-03F	White Translucent
Width: 11-1/2"	Height: 11" Depth: 5"
Weight: 2.83 lbs	Key Type: 1
Capacity: 9" Rolls (2-1/4"-3-3/8" Core)	



Single 10" Jumbo Roll Tissue Dispenser Model: RD0346

Model #	Color
RD0346-09	Brushed Stainless
RD0346-17	White
Width: 10-1/2"	Height: 10-3/8" Depth: 4-1/4"
Weight: 3.66 lbs	Key Type: 13
Capacity: 10" Roll (1-3/4"-2-1/4")	



Single 14" Jumbo Roll Tissue Dispenser Model: RD0348

Model #	Color
RD0348-09	Brushed Stainless
RD0348-17	White
Width: 14-1/4"	Height: 14-1/4" Depth: 4-1/4"
Weight: 5 lbs	Key Type: 13
Capacity: 14" Roll (1-3/4"-2-1/4" Core)	



Single 12" Senior Jumbo Roll Tissue Dispenser Model: RD0039

Model #	Color
RD0039-02F	Black Translucent
Width: 15-1/4"	Height: 15-1/4" Depth: 5-1/4"
Weight: 4.33 lbs	Key Type: 1
Capacity: 12" Roll (1-3/4"-3" Core)	





Stainless Two-Roll Standard Roll Tissue Dispenser Model: RD0325

Model #	Color
RD0325-09	Brushed Stainless
Width: 6"	Height: 13-3/4" Depth: 5-3/4"
Weight: 4.83 lbs	Key Type: 1
Capacity: Two 4-1/2"W x 5-1/4"D Rolls (1-1/2" Core)	



Two-Roll Standard Roll Tissue Dispenser Model: RD0025

Model #	Color
RD0025-01	Dark Translucent
RD0025-03	White Translucent
Width: 6"	Height: 13-1/4" Depth: 5-3/4"
Weight: 3.83 lbs	Key Type: 1
Capacity: Two 4-1/2"W x 5-1/4"D Rolls (1-1/2" Core)	



Two-Roll Standard Roll Tissue Dispenser Model: RD0028

Model #	Color
RD0028-01	Dark Translucent
RD0028-03	White Translucent
Width: 6"	Height: 13" Depth: 5-3/4"
Weight: 2.16 lbs	Key Type: 1
Capacity: Two 4-1/2"W x 5-1/4"D Rolls (1-1/2" Core)	



Two-Roll Standard Roll Tissue Dispenser Model: RD0321

Model #	Color
RD0321-01	Dark Translucent
RD0321-02	Black Translucent
RD0321-03	White Translucent
RD0321-01G	Dark Translucent
RD0321-02G	Black Translucent
RD0321-03G	White Translucent
Width: 11-1/4"	Height: 7" Depth: 5-1/2"
Weight: 2.16 lbs	Key Type: 1
Capacity: Two 4-1/2"W x 5-1/4"D Rolls (1-1/2" Core) "G" Model - Most Micro-Core Tissue up to 5-1/4"D	





Electronic Impact Resistant Plastic Bulk Soap Dispenser Model: SE0800-17

Model #	Color
SE0800-17	White
Width: 4-1/2"	Height: 10-1/2" Depth: 4-1/4"
Weight: 2.08 lbs	Key Type: 5
Capacity: 800mL Liquid Soap	



Electronic Touchless Bulk Soap Dispenser Model: SE0800-09

Model #	Color
SE0800-09	Brushed Stainless
Width: 4-1/2"	Height: 10-1/2" Depth: 4-1/4"
Weight: 2.83 lbs	Key Type: 4
Capacity: 800mL Liquid Soap	



46oz Bulk Liquid Soap Dispenser Model:SD0046

Model #	Color
SD0046-01	Dark Translucent
Width: 5-1/4"	Height: 8-1/2" Depth: 4-1/4"
Weight: 1.50 lbs	
Capacity: 46oz. Liquid Soap	



30oz Bulk Liquid Soap Dispenser Model: SD0030

Model #	Color
SD0030-01	Dark Translucent
Width: 4-3/4"	Height: 6-1/4" Depth: 4-1/2"
Weight: .83 lbs	
Capacity: 30oz. Liquid Soap	



Complete the Family.



Style to fit your environment!



Electronic Bulk Foam Soap Dispenser Model: SF2150

Model #	Color
SF2150-08	Platinum
SF2150-16	Black
SF2150-17	White
Width: 5"	Height: 10-3/4" Depth: 4"
Weight: 2.16 lbs	Key Type: 11
Capacity: 1000mL Foam Soap	



Manual Bulk Foam Soap Dispenser Model: SF2111

Model #	Color
SF2111-08	Platinum
SF2111-16	Black
SF2111-17	White
Width: 4-1/2"	Height: 10-1/4" Depth: 4-1/2"
Weight: 1.58 lbs	Key Type: 10
Capacity: 1000mL Foam Soap	



46oz Bulk Foam Soap Dispenser Model: SF2144

Model #	Color
SF2144-01	Dark Translucent
Width: 5-1/4"	Height: 8-1/2" Depth: 4-1/4"
Weight: 1.5 lbs	
Capacity: 46oz. Foam Soap	



30oz Bulk Foam Soap Dispenser Model: SF2135

Model #	Color
SF2135-01	Dark Translucent
Width: 4-3/4"	Height: 6-1/4" Depth: 4-1/2"
Weight: .83 bs	
Capacity: 30oz. Foam Soap	



Tel.8375.0992/93, 8372.3713/14/15
 Prol.Ruiz Cortines #307 Pte. Col.Paseo de Cumbres Mty N.L. C.P.64346
www.colibrimty.com colibrimty



Counter Top Low Fold Napkin Dispenser Model: ND0051

Model #	Color
ND0051-13	Brushed Steel
Width: 4-9/16"	Height: 5-1/2" Depth: 11-3/4"
Weight: 4 lbs	
Capacity: 375 Lowfold Napkins	



Counter Top Mini Fold Napkin Dispenser Model: ND0061

Model #	Color
ND0061-13	Brushed Steel
Width: 7-5/8"	Height: 4-1/2" Depth: 11-5/8"
Weight: 4.66 lbs	
Capacity: 300 Minifold Napkins	



Counter Top Full Fold Napkin Dispenser Model: ND0071

Model #	Color
ND0071-13	Brushed Steel
Width: 7-5/8"	Height: 5-1/2" Depth: 11-11/16"
Weight: 5.16 lbs	
Capacity: 300 Fullfold Napkins	



Table Top Tall Fold Napkin Dispenser Model: ND0031

Model #	Color
ND0031-13	Brushed Steel
Width: 3-5/8"	Height: 7-3/8" Depth: 4-1/8"
Weight: 1.16 lbs	
Capacity: 175 Tallfold Napkins	



Table Top Mini Fold Napkin Dispenser Model: ND0055

Model #	Color
ND0055-13	Brushed Steel
Width: 7-1/2"	Height: 4-1/2" Depth: 6"
Weight: 2.66 lbs	
Capacity: 200 Minifold Napkins	



Table Top Low Fold Napkin Dispenser Model: ND0045

Model #	Color
ND0045-13	Brushed Steel
Width: 4"	Height: 5-1/2" Depth: 4-13/16"
Weight: 1.75 lbs	
Capacity: 180 Lowfold Napkins	



Table Top Full Fold Napkin Dispenser Model: ND0065

Model #	Color
ND0065-13	Brushed Steel
Width: 7-1/2"	Height: 5-3/4" Depth: 6-1/4"
Weight: 3.08 lbs	
Capacity: 200 Fullfold Napkins	



Keys

For more information on Replacement Keys, visit www.palmerfixture.com or call **1-800-558-8678**. Please reference the individual product information tables to see which key fits a specific dispenser.

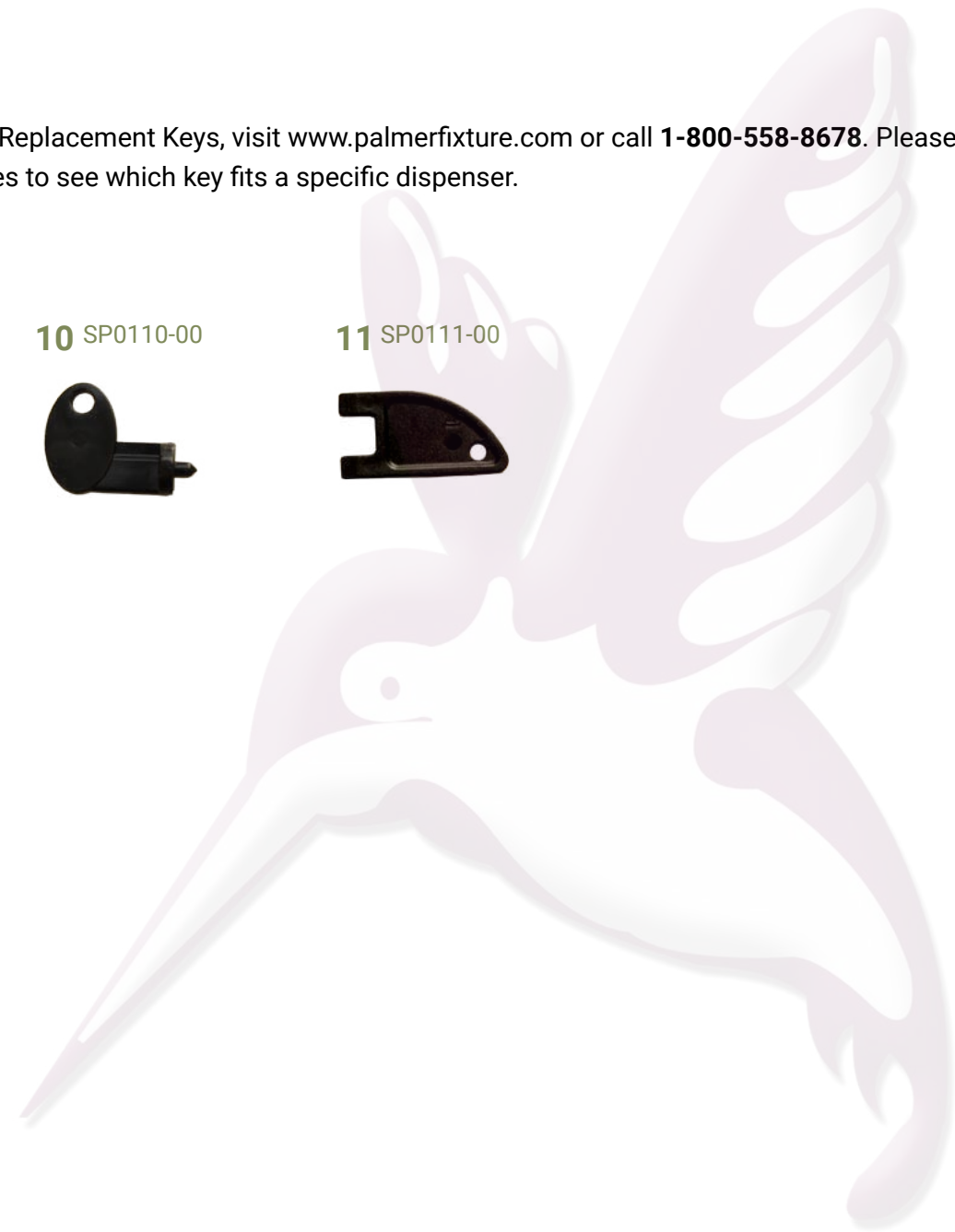
1 SP0100-00



10 SP0110-00



11 SP0111-00



Tel.8375.0992/93, 8372.3713/14/15

Prol.Ruiz Cortines #307 Pte. Col.Paseo de Cumbres Mty N.L. C.P.64346

www.colibrimty.com       colibrimty

Tel.8375.0992/93, 8372.3713/14/15

Prol.Ruiz Cortines #307 Pte. Col.Paseo de Cumbres Mty N.L. C.P.64346

www.colibrimty.com       colibrimty