

Disposal Description

- GX Series is built for powerful performance and dependable functionality
- 3/4 Horsepower VORTEX™ Motor has powerful grinding capabilities to eliminate tough kitchen scraps
- VORTEX™ Motor features permanent magnet motor technology designed to help reduce jamming
- Universal Xpress Mount™ fits all Moen and most existing 3-bolt mounting assemblies
- SoundSHIELD™ sound deadening insulation
- Compact design frees up space under the sink
- Continuous feed with stainless steel grind components
- Manual Reset Button
- Garbage disposals reduce waste sent to landfills making it an eco-friendly option for your home

Included Components

- GX75c Disposal Unit with Universal Xpress Mount™
- Pre-installed Power Cord
- Removable Splash Guard
- Polished Stainless Steel Sink Flange and Drain Stopper
- Drain Elbow and Mounting Assembly

Warranty & Assurance

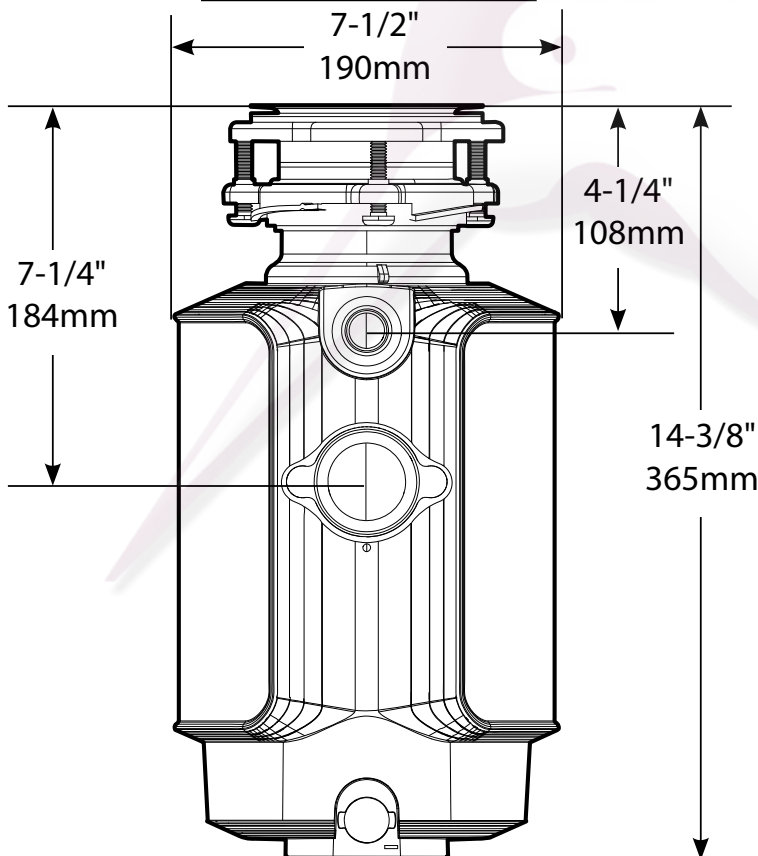
- 6 year limited warranty with in-home service
- Safe for use with properly sized septic systems



Model: GX75c



Critical Dimensions



Specification Detail	
Horsepower	3/4 HP
Feed Type	Continuous
On/Off Controls	Wall Switch
Motor Type	Single Phase Permanent Magnet Motor
RPM (Revolutions Per Minute)	2700
Weight	12 lbs. / 5.5 kg
Volts	115
Hz/Amps	60/6.0
Drain Connection Size	1 1/2" / 38mm
Dishwasher Connection Size	7/8" / 22mm
Maximum Sink Thickness	1/2" / 13mm
Sink Drain Flange Finish	Polished Stainless Steel
Grind Component Material	Stainless Steel
Grind Chamber Material	Corrosion Proof Glass Filled Polyester and Nylon