

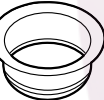



■ Order by Part Number


Stopper - Polished Stainless  
1011 


Removable Splash Guard  
1016 


Sink Flange - Polished Stainless  
1017 


**Mounting Assembly Kit - 1824**


Fiber Gasket 


Backup Flange 

Screws (x3) 


Mounting Ring 


Snap Ring 


Cushion Mount 

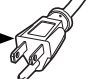
Lower Mounting Ring 

**Drain Elbow Kit - 1026**

Rubber Gasket 

Screws 

Drain Elbow 

Replacement Power Cord Kit  
1024 



**Garbage Disposals**

**MODEL** GX75c

**Other Available Accessories**




**Air Switch Remote Controller**

- Installs into existing sink hole to operate disposer with plunger air switch.
- Perfect application for island countertops or where electrical switch is unavailable.
- No wiring connections or code restrictions.

**Air Switch Base Unit**

Air Switch Remote Controller	ARC-4200
<b>Additional Air Switch Button Finish Options:</b>	
Chrome	AS-4201-CH
Satin Nickel	AS-4201-SN
Polished Brass	AS-4201-BR
White	AS-4201-WH
Almond	AS-4201-AL
Biscuit	AS-4201-BIS

**Optional:**

Dishwasher Connector Kit  
1023 

Unjamming Wrench  
1037 