

► Control Circuit

- Solid State
- 6 VDC Input
- 2-3 Second Arming Delay
- 72 Hour Sentinel Flush

► Sensor Type

Infrared Convergence Type Object Lock Detection

► Sensor Range

Factory Set at 22" - 42" (559 mm-1067 mm)

► Indicator Lights

User in View

► Valve Operating Pressure (Flowing)

25-80 psi (172-552 kPa)

► OPERATION

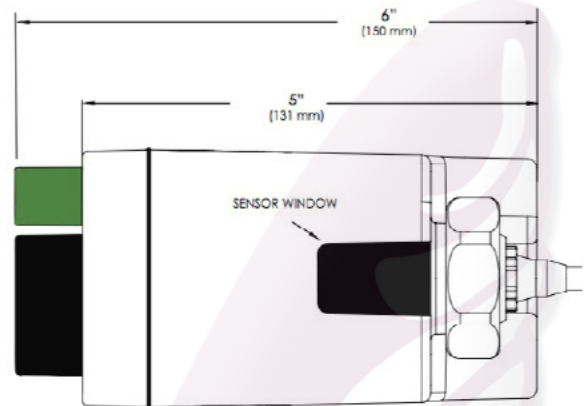
1. A continuous, invisible light beam is emitted from the Object Lock Infrared Sensor.



2. As the user enters the beam's effective range, 25" - 40" (635 mm-1016 mm), the beam is reflected into the scanner window to activate the Output Circuit. Once activated, the Output Circuit continues in a "hold" mode for as long as the user remains within the effective range of the sensor. If the user stays longer than 60 seconds, a full flush will automatically initiate when the user leaves.

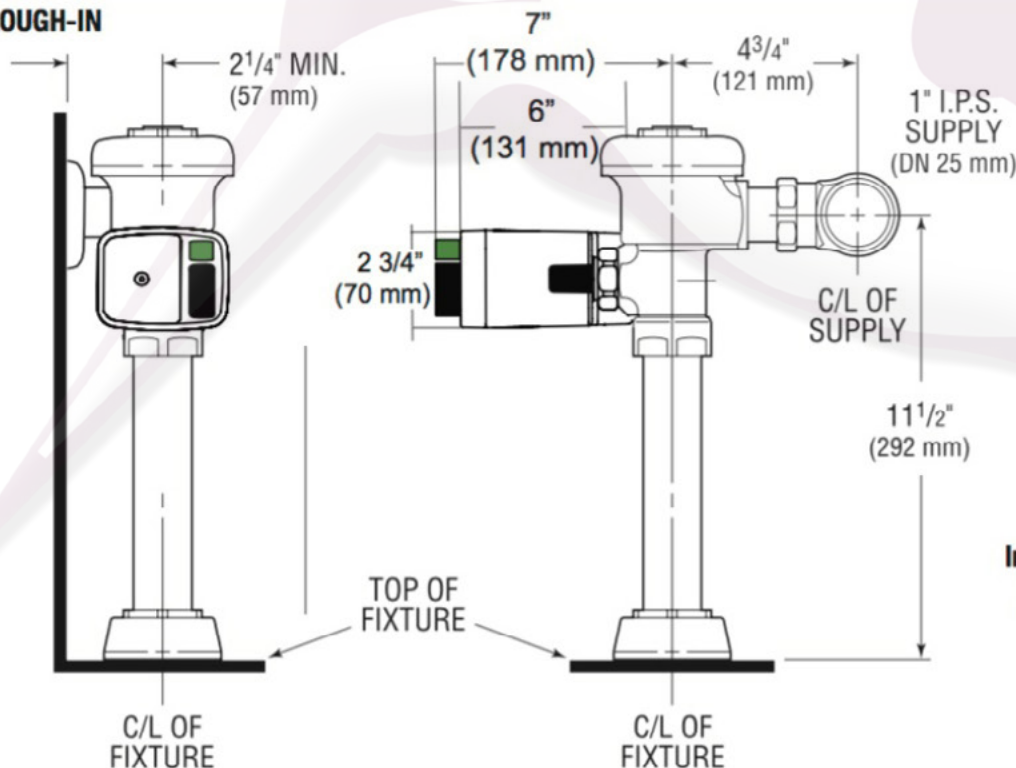


3. Once a user is detected, if the user leaves in 60 seconds or less, a reduced flush will automatically initiate. The circuit automatically resets and is ready for the next user.



DFSM Unit Dimensions

ROUGH-IN



**Includes EBV-550-A
Dual-Flush Side
Mount Unit**

► Code Number

3910285

► Description

Exposed, battery-powered, sensor-activated, water closet flushometer with a dual-flush side mount unit for top spud floor mounted or wall hung bowls.

► Flush Cycle

Royal 111-1.6/1.1 DFMS Full Flush Large Black Button (1.6 gpf/6.0 Lpf)
Reduced Flush Small Green Button (1.1 gpf/4.2 Lpf)

► Specifications

Quiet, Exposed, Diaphragm Type, Chrome Plated Closet Flushometer with the following features:

- PERMEX® Synthetic Rubber Diaphragm with Dual Filtered Fixed Bypass
- Chrome Plated Infrared Sensor Housing
- Can be Mounted on either the Left or Right Side of Valve
- Non-Hold-Open True Mechanical Override Full Flush/Dual Flush Buttons
- If the user is present for less than one minute and leaves the sensing zone or chooses the small GREEN override button, a reduced flush initiates (1.1 gpf/4.2 Lpf) eliminating liquid and paper waste, saving 1/2 gallon of water
- If the user is present for greater than one minute and leaves the zone or chooses the large BLACK override button, the full flush initiates (1.6 gpf/6.0 Lpf) eliminating solid waste and paper
- Reduces water volume by up to 30% when a reduced flush occurs
- Four (4) Size C Alkaline Batteries included: Duracell® with DURALOCK Power Preserve Technology™-guaranteed for up to 10 years in storage
- "Low Battery" Flashing LED
- "User in View" Flashing LED
- 72-Hour Sentinel Flush
- Infrared Sensor Range Adjustment Screw and Reset Button
- Right Side or Left Side Mountable
- High Back Pressure Vacuum Breaker Flush Connection with One-piece Bottom Hex Coupling Nut
- Sweat Solder Adapter w/Cover Tube and Cast Wall Flange w/Set Screw
- No External Volume Adjustment to Ensure Water Conservation
- Adjustable Tailpiece
- ADA Compliant Battery Powered Infrared Sensor for automatic "Hands-free" operation
- Flush accuracy controlled by CID® technology
- Spud Coupling and Flange for 1 1/2" Top Spud

Valve Body, Cover, Tailpiece and Control Stop shall be in conformance with ASTM Alloy Classification for Semi-Red Brass. Valve shall be in compliance with the applicable sections of ASSE 1037 and ANSI/ASME 112.19.2.

- Infrared Sensor with Multiple-focused, Lobular Sensing Fields for high and low target detection
- 1" I.P.S. Screwdriver Bak-Chek® Angle Stop with Free Spinning Vandal Resistant Stop Cap
- Diaphragm, Stop Seat and Vacuum Breaker to be molded from PERMEX® rubber compound for Chloramine resistance

► Accessories (Sold Separately)

See Accessories Section and OPTIMA® Accessories Section of the Sloan catalog for details on these and other OPTIMA® Flushometer variations.

► Fixtures

Consult factory for matching Sloan brand fixture options.



► Smart Sense Technology™

Sloan's DFMS flushometers are equipped with Smart Sense Technology™, which applies extended range and logic techniques to significantly reduce water usage. The DFMS flushometer automatically delivers a reduced flush when users are present less than 60 seconds. Please contact Sloan for specific details.

► Automatic Operation

Sloan's DFMS flushometers are activated via multi-lobular infrared sensor. By detecting user presence and duration, the DFMS unit will determine the proper flush volume for unequalled water efficiency.

► Manual Operation

Sloan's electronic Dual-Flush Side Mount (DFMS) flushometers incorporate intuitive split-button design for easy manual activation. Assuming a 1.6 gpf diaphragm kit, the small GREEN button controls the reduced flush cycle (1.1 gpf/4.2 Lpf), the large BLACK button controls the full flush cycle (1.6 gpf/6.0 Lpf). Straightforward graphics alert user to proper activation. Reduced flush for liquid waste, full flush for solid waste.

► Service Mode

Features service mode which ignores targets for 10 minutes to enable fixture to be cleaned or serviced

► Hygienic

Touchless, sensor activation eliminates the need for user contact to help control the spread of infectious diseases. The Sloan DFMS Electronic Retrofit Units are provided with Reduced or Full Flush Override Buttons to allow a "courtesy flush" for individual user comfort. The 72-Hour Sentinel Flush keeps fixture fresh during periods of nonuse.

► Compliance & Certifications

