

► Code Number

3910275

► Description

Exposed, Battery Powered, Sensor-Activated, Water Closet Flushometer with a single flush side mount unit for top spud floor mounted or wall hung bowls.

► Flush Cycle

1.6 gpf/6.0Lpf

► Specifications

Quiet, Exposed, Diaphragm Type, Chrome Plated Closet Flushometer with the following features:

- High Chloramine Resistant PERMEX® Synthetic Rubber Diaphragm with Dual Filtered Fixed bypass
- Chrome Plated Infrared Sensor Housing
- Can be Mounted on either the Left or Right Side of Valve
- True Mechanical Override Flush Button
- Four (4) Size C alkaline Batteries included: Duracell® with DURALOCK Power Preserve Technology™-guaranteed for up to 10 years in storage
- "Low Battery" Flashing LED
- "User in View" Flashing LED
- 72-Hour Sentinel Flush
- Sweat solder adapter with cover tube and cast wall flange with set screw
- No External Volume Adjustment to Ensure Water Conservation
- ADA Compliant Battery Powered Infrared Sensor for automatic "Hands-free" operation
- Flush accuracy controlled by CID® technology
- Spud Coupling and Flange for 1 1/2" Top Spud
- Infrared Sensor with Multiple-focused, Lobular Sensing Fields for high and low target detection
- 1" I.P.S. Screwdriver Bak-Chek® Angle Stop with Free Spinning Vandal Resistant Stop Cap
- Diaphragm, Stop Seat and Vacuum Breaker to be molded from PERMEX® rubber compound for Chloramine resistance

Valve Body, Cover, Tailpiece and Control Stop shall be in conformance with ASTM Alloy Classification for Semi-Red Brass. Valve shall be in compliance with the applicable sections of ASSE 1037 and ANSI/ASME 112.19.2.

► Accessories (Sold Separately)

See Accessories Section and OPTIMA® Accessories Section of the Sloan catalog for details on these and other OPTIMA® Flushometer variations.

► Fixtures

Consult factory for matching Sloan brand fixture options.



► Smart Sense Technology™

Sloan® SF5M flushometers are equipped with Smart Sense Technology™, which applies extended range and logic techniques to provide superior sensor-activated performance.

► Automatic Operation

Sloan's SF5M flushometers are activated via multi-lobular infrared sensor. The sensor sets the flushing mechanism when the user is detected and Completes the flush when the user steps away.

► Manual Operation

Sloan's SF5M flushometers can also be activated manually by pushing the black TMO button.

► Service Mode

Features service mode which ignores targets for 10 minutes to enable fixture to be cleaned or serviced

► Hygienic

Touchless, sensor activation eliminates the need for user contact to help control the spread of infectious diseases. The Sloan DF5M Electronic Retrofit Units are provided with Reduced or Full Flush Override Buttons to allow a "courtesy flush" for individual user comfort. The 72-Hour Sentinel Flush keeps fixture fresh during periods of nonuse.

► Compliance & Certifications



► SF5M DIMENSIONS

► Control Circuit

Solid State
6 VDC Input
2-3 Second Arming Delay
72 Hour Sentinel Flush

► Sensor Type

Infrared Convergence Type Object Lock Detection

► Sensor Range

Factory Set at 22" - 42" (559 mm-1067 mm)

► Battery Type

(4) C Alkaline

► Battery Life

3 Years @ 4,000 flushes/month

► Indicator Lights

User in View

► Valve Operating Pressure (Flowing)

25-80 psi (172-552 kPa)

► OPERATION

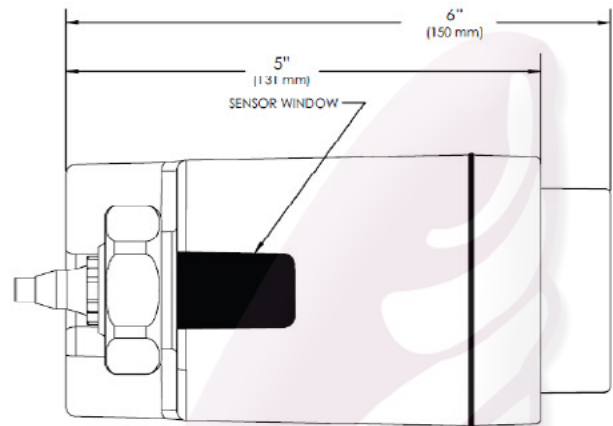
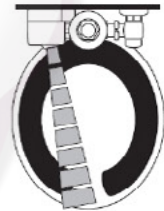
1. A continuous, invisible light beam is emitted from the object lock infrared sensor.



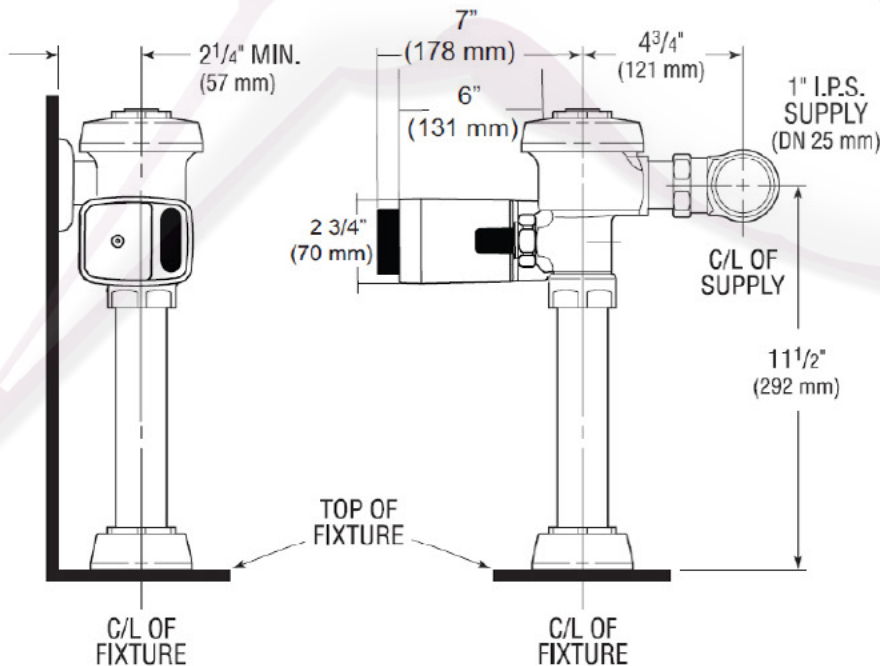
2. As the user enters the beam's effective range, 22" - 42" (559 mm-1067 mm), the object lock infrared sensor senses the user.



3. When the user steps away from the object lock infrared sensor, the circuit initiates the flushing cycle to flush the fixture. The circuit then automatically resets and is ready for the next user.



► ROUGH-IN



Includes EBV-500-A
Single-Flush
Side Mount Unit