

### ► Code Number

3345101

### ► Description

AC-powered, sensor-activated, dual-flush retrofit conversion kit for exposed closet flushometers.

### ► Specifications

- Chrome Plated Infrared Sensor Housing
- Non-Hold-Open True Mechanical Override Full Flush Button
- If the user is present for less than one minute and leaves the sensing zone or chooses the small GREEN override button, a reduced flush initiates (1.1 gpf/4.2 Lpf) eliminating liquid and paper waste, saving 1/2 gallon of water†
- If the user is present for greater than one minute and leaves the zone or chooses the large BLACK override button, the full flush initiates (1.6 gpf/6.0 Lpf) eliminating solid waste and paper
- Reduces water volume by up to 30% when a reduced flush occurs†
- Initial Set-up Range Indicator Light (first 10 minutes)
- "User in View" Flashing LED
- Can be installed when handle is on left side or right side of valve
- Installation Tools provided
- No External Volume Adjustment to Ensure Water Conservation
- The Side Mount units can be used on standard rough-in Sloan, Royal, Regal and Zurn flushometers.
- Quiet, exposed, AC-powered, sensor-activated, dual-flush retrofit conversion kits for exposed closet Sloan flushometers with the following features:
  - ADA Compliant AC-powered infrared side mount sensor for automatic "No Hands" operation
  - User-friendly three (3) second flush delay

### ► Accessories (specify separately)

- 120 VAC Input/6 VAC Output, 50/60 Hz (3 VA) Plug-In (will operate 1 unit)
- 120 VAC Input/6 VAC Output, 50/60 Hz (25 VA) Box Mount (will operate up to 6 units)

### ► Fixtures

Consult factory for matching Sloan brand fixture options.



### ► Smart Sense Technology™

Sloan® DFSM flushometers are equipped with Smart Sense Technology™, which applies extended range and logic techniques to significantly reduce water usage. The DFSM flushometer automatically delivers a reduced flush when users are present less than 60 seconds. Please contact Sloan for specific details.

### ► Automatic Operation

Sloan's DFSM flushometers are activated via multi-lobular infrared sensor. By detecting user presence and duration, the DFSM unit will determine the proper flush volume for unequalled water efficiency.

### ► Manual Operation

Sloan's electronic dual-flush side mount (DFSM) flushometers incorporate intuitive splitbutton design for easy manual activation. Assuming a 1.6 gpf (6.0 Lpf) diaphragm kit, the small GREEN button controls the reduced flush cycle (1.1 gpf/4.2 Lpf), the large BLACK button controls the full flush cycle (1.6 gpf/6.0 Lpf). Straightforward graphics alert user to proper activation. Reduced flush for liquid waste, full flush for solid waste.

### ► Hygienic

Touchless, sensor activation eliminates the need for user contact to help control the spread of infectious diseases. The Sloan DFSM Electronic Retrofit Units are provided with Reduced or Full Flush Override Buttons to allow a "courtesy flush" for individual user comfort. The 72-Hour Sentinel Flush keeps fixture fresh during periods of nonuse.

### ► Compliance & Certifications



### ► Control Circuit

Solid State

72 Hour Sentinel Flush

6 VAC/7.6 VDC Input

Closet Range: 2-3 Second Arming Delay

### ► Sensor Type

Infrared Convergence Type Object Lock Detection

### ► Sensor Range

Factory Set at 22" - 42" (559 mm-1067 mm)

### ► Transformers

Sloan Part #EL-451 (Box Mount) 120 VAC, 50/60 Hz Primary 6 VAC, 50/60 Hz Secondary Class II, 25 VA.

Sloan Part #EL-386 (Plug-in) 120 VAC, 50/60 Hz Primary 6 VAC, 50/60 Hz Secondary Class II, 3 VA.

### ► Indicator Lights

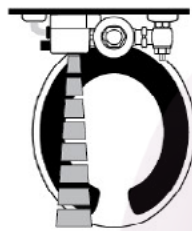
User in View

### ► Valve Operating Pressure (Flowing)

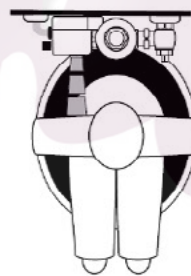
25-80 psi (172-552 kPa)

### ► OPERATION

1. A continuous, invisible light beam is emitted from the object infrared sensor.



2. As the user enters the beams effective range, 22-42" (559-1067 mm), the beam is reflected into the scanner window to activate the output circuit. Once activated, the output circuit continues in a "hold" mode for as long as the user remains within the effective range of the sensor. If the user stays less than 60 seconds, a reduced flush will automatically initiate when the user leaves.

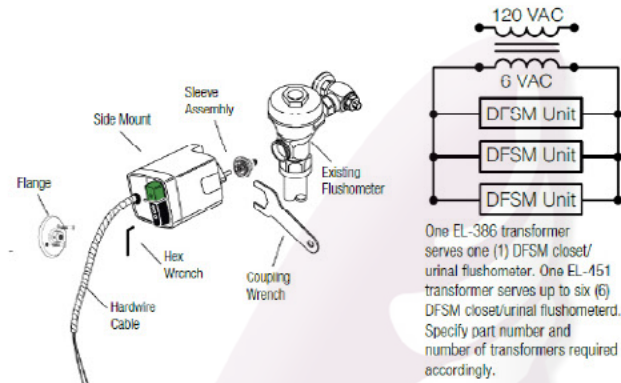
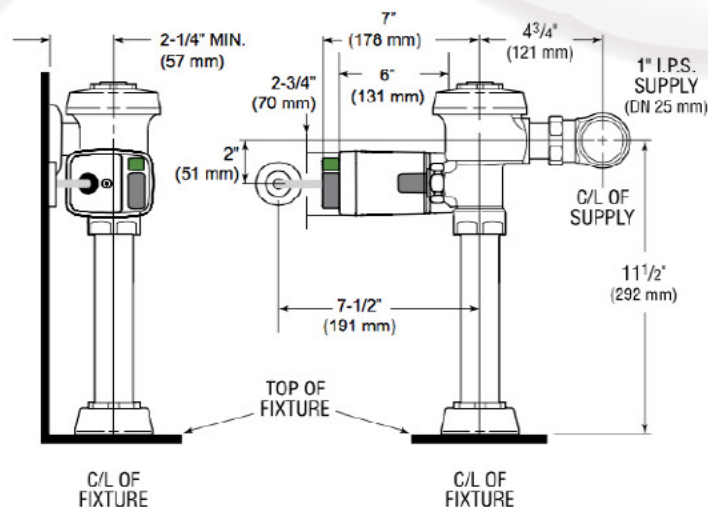


3. When the user steps away from the infrared sensor, the circuit initiates the flushing cycle to flush the fixture. The circuit then automatically resets and is ready for the next user.



### ► ROUGH-IN

EL-750-A Dual-Flush Side Mount Hardwired unit shown on an existing Royal® 111 closet flushometer



One EL-386 transformer serves one (1) DFSM closet/urinal flushometer. One EL-451 transformer serves up to six (6) DFSM closet/urinal flushometers. Specify part number and number of transformers required accordingly.

