

EBV-200-A

- ▶ **Description**
Battery Powered, Sensor Activated Retrofit Unit for Exposed Closet and Urinal Flushometers.
- ▶ **Model**
□ EBV-200-A Side Mount Operator for Water Closets (Toilets) and Urinals
- ▶ **Specifications**
Battery Powered, Sensor Activated, Exposed, OPTIMA® SMOOTH™ Unit for Closet and Urinal Flushometer Conversions with the following features:
 - ADA Compliant OPTIMA® SMOOTH™ Battery Powered Infrared Sensor for automatic "Hands-free" operation
 - Sensor with Automatic Range Adjustment
 - Chrome Plated Metal Sensor Housing
 - Mechanical Manual Override Flush Handle
 - Four (4) Size C Batteries included
 - "Low Battery" Flashing LED
 - "User in View" Flashing LED
 - Sentinel Flush Mode
 - Vandal Resistant 1/8" Ball-Type Hex Key included
- ▶ **Features**
 - 25 to 80 psi Operating Range
 - Infrared Sensing with Automatic Adjustment
 - Mechanical Manual Override
 - Four (4) replaceable Size C Batteries
- ▶ **ADA Compliant**
- ▶ **Easy Installation**
Sloan SMOOTH™ works out of the box and installs in minutes. Simply slide the unit over the Flushometer handle and tighten the clamp.
- ▶ **Automatic**
Sloan SMOOTH™ equipped Flushometers provide the ultimate in sanitary protection and automatic operation. There is no need for AC hookups or wall alterations. The Flushometer operates by means of a battery powered infrared sensor. Once the user enters the sensor's effective range and then steps away, the SMOOTH™ Unit initiates the flushing cycle to flush the fixture. State-of-the-art Technology enables activation of a manual override without "double flushing" occurring as the user departs (locks out sensor for approximately 10 seconds). 72 hour Sentinel Flush keeps fixture fresh during periods of nonuse.



Side-Mount-Operator-Over-The-Handle units do NOT include a Valve Body, Supply Stop or Vacuum Breaker.

- ▶ **Hygienic**
The Sloan SMOOTH™ Flushometer retrofit kit is the next advancement in hygiene. It uses sensor technology to transform manual installations into electronic, hands-free operation. User makes no physical contact with the Flushometer surface except to initiate the Override Handle when required. Helps control the spread of infectious diseases.
- ▶ **Economical**
Automatic operation provides water usage savings over other flushing devices. Reduces maintenance and operation costs. Installation and battery replacement does not require turning off water to the valve.
- ▶ **Warranty**
3 year (limited)



EBV-200-A

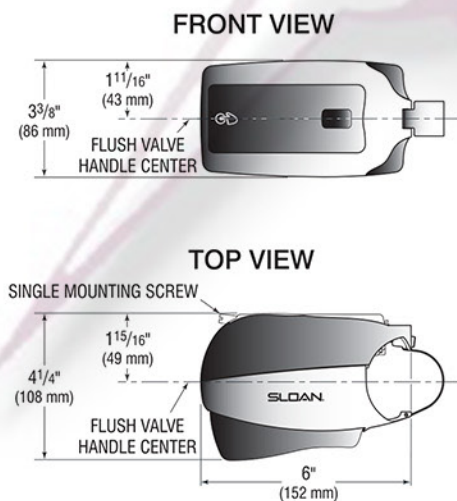
Side-Mount-Operator-Over-The-Handle Flushometer Retrofit Kit

- ▶ **Description**
Battery Powered, Sensor Activated Retrofit Unit for Exposed Closet and Urinal Flushometers.
- ▶ **Model**
 EBV-200-A Side Mount Operator for Water Closets (Toilets) and Urinals

ELECTRICAL SPECIFICATIONS

- ▶ **Control Circuit**
6 VDC Input
8 Second Arming Delay
72 Hour Sentinel Flush
- ▶ **OPTIMA Sensor Range**
Normal Range (recommended for Water Closets) with 2 - 3 second flush delay:
26" - 32" (660 mm - 813 mm)
Normal Range (recommended for Water Closets) with 1 - 2 second flush delay:
26" - 32" (660 mm - 813 mm)
Reduced Range (recommended for Urinals) with 1 - 2 second flush delay:
20" - 26" (508 mm - 660 mm)
- ▶ **OPTIMA Sensor Type**
Active Infrared with Automatic Adjustment
- ▶ **Battery Type**
(4) Size C Alkaline
- ▶ **Battery Life**
2 Years @ 4,000 Flushes/Month
- ▶ **Indicator Lights**
User in View/Low Battery
- ▶ **Operating Pressure**
25-80 psi (172-552 kPa)

DIMENSIONS



OPERATION

1. A continuous, invisible light beam is emitted from the SMOOTH unit's Infrared Sensor.
2. When the user enters the sensor's effective range, the Red LED light in the sensor window flashes for eight seconds. After eight seconds of sensing the user, the light will stop flashing and the unit waits for the user to step away before initiating a flush cycle.
3. When the user steps away, the unit initiates a flush cycle. The unit then automatically resets and is ready for the next user.

