

Hotel / Motel Technical Specification

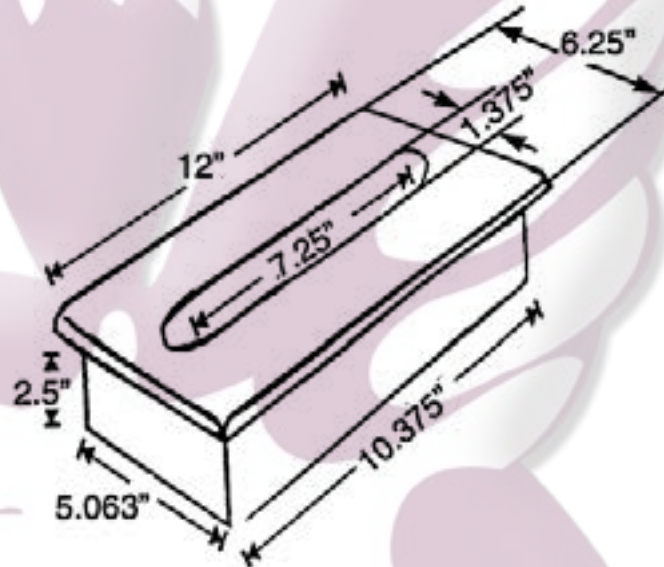
Recessed Facial Tissue Box

5520

Stock Numbers:

- **RR5520SS – Recessed Facial Tissue Box**
Stainless Steel Cover

Dimensions:



Materials:

ALL CHROME BATH HARDWARE IS TRIPLE PLATED WITH COPPER, NICKEL AND CHROMIUM FOR LONG LASTING BEAUTY, AND MEET ASTM-B86 STANDARDS.

Recessed Facial Tissue Box and snap insert are galvanized steel. Cover is 24 gauge steel with a triple plated polished chrome finish.

Installation Instructions:

Cut out wall opening of 10 5/8" x 5 1/16" x 2 1/2" depth. If framed in, mount into frame with 1" steel screws. If not framed in, mount box into wall opening with optional 588 wall clamp. Cover snaps into recessed box.

Stock Number: _____ Recessed Facial Tissue Box
By Creative Specialties

