



**PRODUCT DESCRIPTION**

- Manual exposed urinal flushometer with brass angle stop valve
- Cast brass construction with chrome electroplated finish
- Chloramines resistant seals
- 3/4" IPS inlet supply
- 3/4" top spud
- High back pressure vacuum breaker
- ADA compliant handle with dual o-ring seals

**OPERATION**

- Operating pressures: 15 to 120 psi
- AccuSet™ piston technology
- Self-cleaning filter

**FLOW**

- **8312M10** (1.0 gpf/3.8 lpf)
- **8312M05** (0.5 gpf/1.9 lpf) –WaterSense certified 
- **8312M0125** (0.125 gpf/0.5 lpf) –WaterSense certified 
- **8314M10** (1.0 gpf/3.8 lpf) –1-1/4" top spud

**STOP VALVE**

- 3/4" IPS vandal resistant control stop
- Solid brass with chloramines resistant face seal

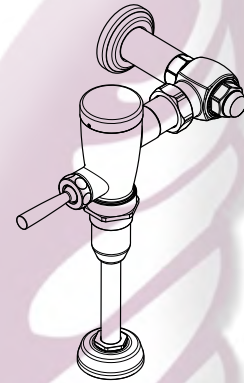
**STANDARDS**

- Third party certified by IAPMO and CSA to meet ASME A112.19.2M and all applicable requirements referenced therein and complies with requirements of ASSE 1037

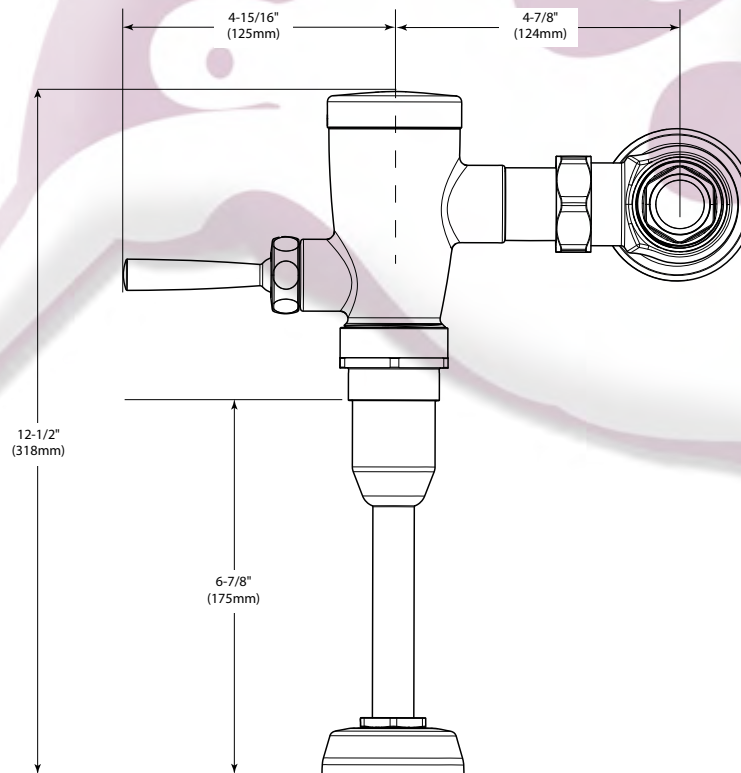
- **ADA** 

**WARRANTY**

- Warranted for 5 years against material or manufacturing defects



**3/4" Manual Exposed  
Style Urinal Flush Valve**



**CRITICAL DIMENSIONS**

(DO NOT SCALE)



Tels. (81) 8375.0992-93 con 6 líneas

www.colibrimty.com info@colibrimty.com    @colibrimty