

PRODUCT DESCRIPTION

- Manual exposed water closet flushometer with bedpan washer
- Brass angle stop valve
- Solid brass construction with chrome electroplated finish
- Solid brass spray arm
- Bearing washers and double o-ring leak prevention system
- Chloramines resistant seals
- 1" IPS inlet supply
- 1-1/2" top spud
- High back pressure vacuum breaker
- Diverter valve support
- ADA compliant handle with dual o-ring seals
- Works with SecureMount™ grab bars

OPERATION

- Operating pressures: 15 to 120 psi
- AccuSet™ piston technology
- Self-cleaning filter

FLOW

Bedpan Washer

- **8310BPW35** (3.5 gpf/13.2 Lpf)
- **8310BPW16** (1.6 gpf/6.0 Lpf)


Bedpan Washer Retrofit (less flush valve)

- **8310BPWR**

STOP VALVE

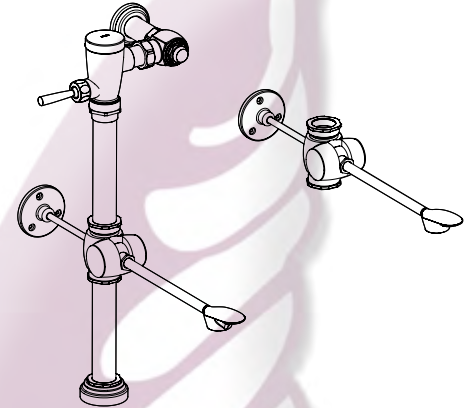
- 1" IPS vandal resistant control stop
- Solid brass with chloramines resistant face seal

STANDARDS

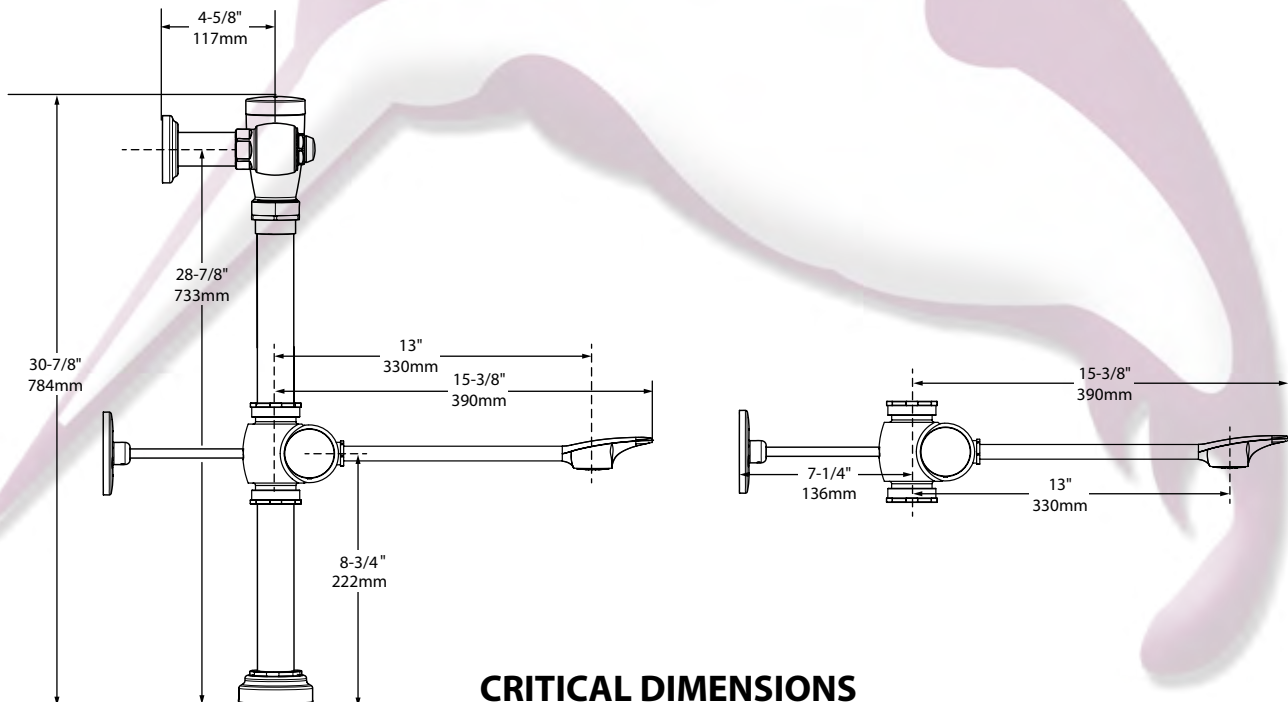
- Third party certified by IAPMO and CSA to meet ASME A112.19.2M and all applicable requirements referenced therein and complies with requirements of ASSE 1037
- **ADA** 

WARRANTY

- Warranted for 5 years against material or manufacturing defects



**1-1/2" Manual Exposed
Style Closet Flush Valve
Bedpan Washer**



CRITICAL DIMENSIONS

(DO NOT SCALE)



Tels. (81) 8375.0992-93 con 6 líneas

www.colibrimty.com info@colibrimty.com    @colibrimty