

DESCRIPTION

- Three function transfer valve
- Inlets and outlets on same plane
- 1/2" CC connections

OPERATION

- Detents at each flow position
- Valve operates 3 distinct functions but can be plumbed for 2 distinct functions

CARTRIDGE

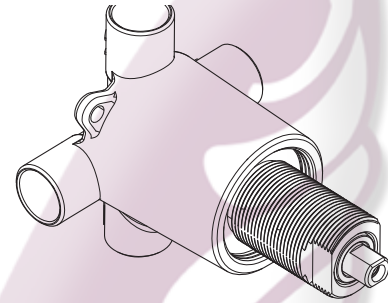
- Ceramic disk cartridge

STANDARDS

- Third party certified to meet ASME A112.18/CSA B125.1 and all applicable requirements therein including NSF61/9

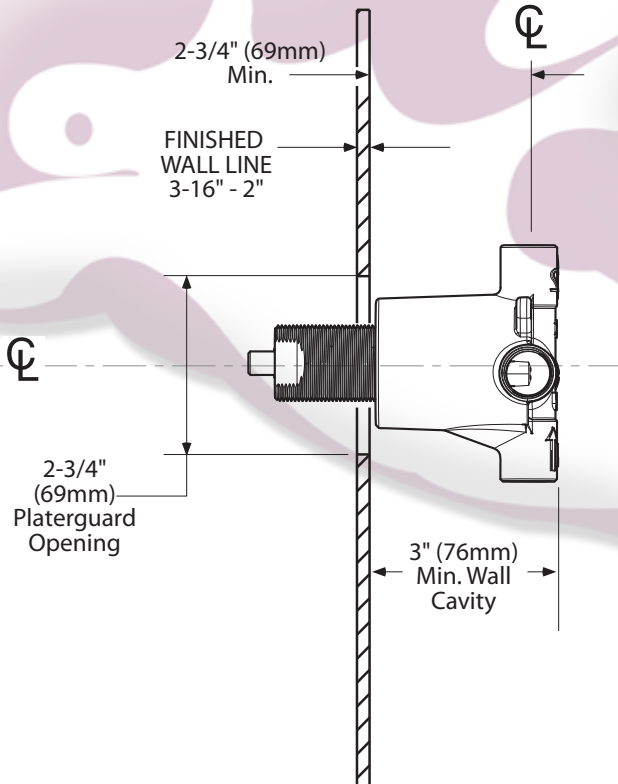
WARRANTY

- Warranted for 5 years against material or manufacturing defects



Three-Function Commercial Transfer Valve Trim Kit

Model: 3360



NOTE: This valve is not intended to be used as a shut-off valve. To prevent the potential of cross flow, check valves must be integral to the supply valve or installed in both hot and cold water supply lines.

CRITICAL DIMENSIONS

(DO NOT SCALE)

