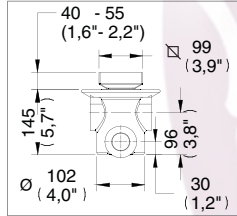
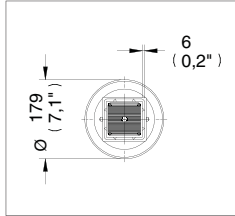
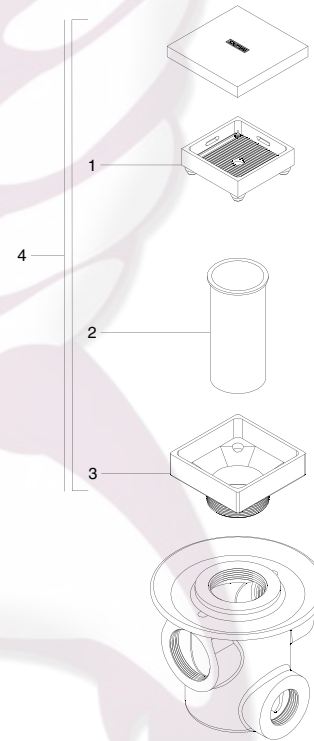


Coladera Para Piso, Tres Bocas, Contra Cuadrada con Alojamiento para Inserto / Floor Drain With Round Three
Outlets Grid Square for Insert



Medidas Referenciales / Estimated Dimensions, Acot.mm.(pulg) / Dim.mm.(in)

Despiece / Components



Características y Datos Técnicos / Characteristics and Technical Details

Contra con Tapa p/Inserto de Piso C eramico
o M armol
C espol Integrado
Plato de Doble Drenaje
Ranura de Desalojo Perimetral de 6 mm (0,23")
Sello Hidr ulico
Espesor M ximo del inserto 10 mm

Material:
Contra: Lat n Forjado
Porta inserto: Lat n Forjado
Base: Hierro Fundido

Conexi n:
Rosca de Instalaci n
Superior 2"- 11 1/2 NPSM
Inferior 1 1/2"-11 NPSM

Caudal de Desalojo:
40 l/min (8.8 Gpm)

Drain for Marmol or Ceramic Insert
Integrated Cesspool
Double Drain Plate
6 mm (0.23") to Dislodge Perimeter
Hydraulic Seal
10 mm Insert Thickener Maximum

Materials:
Drain - Forged Brass
Insert Holder: Forged Brass
Base: Cast Iron

Inlet Thread:
Installation Thread Diameter
Upper 2"-11 1/2 NPSM
Lower 1 1/2"-11 NPSM

To Dislodge Volume of Flow:
40 l/min (8.8 Gpm)

Mod.	Descripci�n	Mod.	Description
1	Sc-042 Porta Inserto Cuadrado Chico c/Tornillo	1	Sc-042 Small Square Insert Holder With Screw
2	Rc-032 Casquillo Chico p/Coladera	2	Rc-032 Small Grid Drain Bushing
3	RC-161 Contra Coladera Perimetral Chica	3	RC-161 Small Perimeter Drain Grid
	Sub-ensamble		Sub-assembly
4	SC-040 Contra Coladera Perimetral Chica	4	SC-040 Small Perimeter Square Drain Grid

Hecho en M xico

* Los productos ilustrados pueden sufrir cambios sin previo aviso en su aspecto o partes, como resultado de los procesos de mejora continua al que est n sujetos, sin implicar mayor responsabilidad de la f brica.

Made in M xico

* Products shown may change without prior notice or parts in their appearance, as a result of continuous improvement processes that are subject, without involving greater responsibility of the factory.

