

EHD-401  
EHD-402  
EHD-404

► **Description**

Sensor Activated Hand Dryer for surface mounting.

► **Specifications**

- Maintenance free brushless motor with self-lubricating bearings, capacitor initiated for quick starts
- Infrared Optical Sensor with ninety (90) second lockout feature
- Air delivery of approximately 180 CFM at an outlet temperature of 145°F/63°C at a 72°F/22°C ambient room temperature
- Decibel Rating of 70 dB
- Heating element constructed of Nichrome wire and protected by an automatic resetting thermostat
- Vandal resistant metal protective grill to prevent the entry of foreign objects into the blower housing
- One piece heavy-duty rib reinforced die cast zinc alloy housing
- Bright chrome plate or chip-proof electrostatically-applied epoxy finish
- Tamper-proof cover fasteners are included

► **Electrical Specifications**

- Model EHD-401: 110/120 VAC, 20 Amp, 60 Hz
- Model EHD-402: 208/230 VAC, 10 Amp, 60 Hz
- Model EHD-404: 277 VAC, 8 Amp, 60 Hz

► **Colors**

- W White
- CP Chrome Plate

► **Operation**

- When the Infrared Sensor detects hands beneath the exhaust port, it activates the Hand Dryer. A powerful flow of warm air dries hands within thirty (30) seconds.



- After hands are withdrawn from the Sensor's detection zone, or after a maximum of ninety (90) seconds of continuous operation, the Hand Dryer automatically stops. It is then ready for the next user.



► **ADA Compliant**

► **Sensor Activated**

Sloan OPTIMA® EHD-401, EHD-402 and EHD-404 Sensor Activated Electronic Hand Dryers operate by means of an Infrared Optical Sensor. Once the user enters the sensor's effective range, the Hand Dryer activates for as long as the users hands are under the air outlet. The Hand Dryer will operate up to ninety (90) seconds of continuous operation.

► **Hygienic**

Offers the ultimate in sanitary protection — there are no handles to turn or buttons to push. Helps control the spread of infectious diseases.

► **Economical**

Automatic operation provides energy savings. Reduces maintenance and operating costs. Designed for quick and easy installation.

► **Warranty**

10 year Motor and Housing / 3 year Control Assembly (limited)

► **Made in the U.S.A.**



EHD-401  
EHD-402  
EHD-404

**Electrical Requirements**

Model	Voltage	Amps	Hz	Watts
EHD-401	110/120 VAC	20	60	2400
EHD-402 †	208/230 VAC	10	60	2300
EHD-404	277 VAC	8	60	2216

† Model EHD-402 can operate on 208 VAC through 230 VAC per the requirements listed.

Install electrical line in the location shown in the Wiring Diagram below.

**Electrical Connection Specifications**

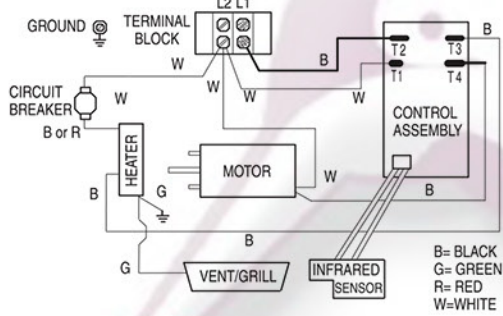
Connect 110/120 VAC dryer to not more than a 20 Amp branch circuit using #12 gauge or larger wire, and a 208/230/277 VAC dryer to not more than a 15 Amp branch circuit using #14 gauge or larger wire. DO NOT attach any other electrical devices to this branch circuit.

**Important:**

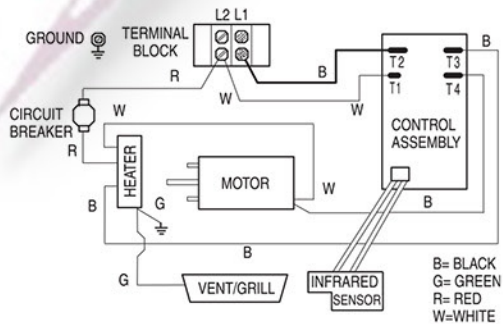
ALL ELECTRICAL WIRING SHOULD BE INSTALLED IN ACCORDANCE WITH NATIONAL/LOCAL CODES AND REGULATIONS.

**WIRING DIAGRAM**

Model EHD-401 — 110/120 VAC  
Model EHD-402 — 208/230 VAC



Model EHD-404 — 277 VAC



**Recommended Mounting Heights (from floor to bottom of dryer)**

User	Height
Men	43 Inches (1092 mm)
Women	41 Inches (1041 mm)
Teenagers	39 Inches (991 mm)
Children	33 Inches (838 mm)
Handicapped	35 Inches (889 mm)

Prepare wall to receive mounting fasteners as shown in the rough-in diagram. Refer to Installation Instructions for recommended fasteners.

**Installation Precautions**

- Mounting surface should be smooth and flat.
- Mount dryer at least 24 inches (610 mm) away from basins and at least 20 inches (508 mm) away from corners.
- Mount multiple hand dryers a minimum separation distance of 20 inches (508 mm) (measured center to center).
- Avoid installing hand dryers in narrow hallways and behind swinging doors.

**ROUGH-IN**

