



Encore

SANIGUARD
THE POWER OF BRASS

COMPLIES WITH:
ASME A112.18.1-2005
CSA B125.1-05
NSF/ANSI 61 / 9
Uniform Plumbing Code



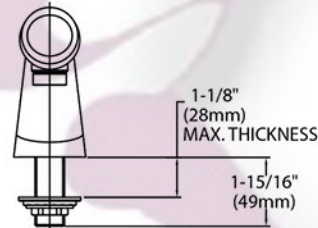
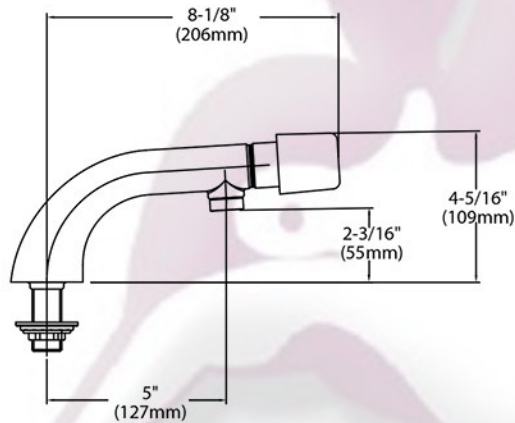
Encore® Single Post Basin Tap, with SANIGUARD® Metering Handle
KN87-8205- _ _

ENGINEERING SPECIFICATION:

Deck mount single valve chrome plated polished brass body with one ½" NPSM inlet and integral 5" cast spout. Basin faucet has ADA compliant metering valve and has an adjustable cycle time, preset to 25 seconds at 60 PSI (to comply with ANSI A112.18.1 Standard). Metering handle is treated with SANIGUARD® antimicrobial product protection. Unit accommodates installations up to 1-1/8" (28mm) thick.

TECHNICAL/PERFORMANCE SPECIFICATIONS:

Commercial Specification Grade Gaskets and Seals Rated
Commercial Hot 180°F
1/2" NPSM Male Inlet w/ mounting hardware
Operating Temperature: 40 - 180°F
Operating Pressure: 15 - 125psi



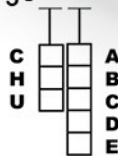
Dimensions shown in inches (mm) are for reference only and are subject to change.

Part Numbers:

KN87 - 820 5 -

Handle

Cold
Hot
Universal



Outlet

0.5 GPM PCA Spray, Vandal Resistant
1.5 GPM Max Laminar Antimicrobial & Vandal Resistant
0.5 GPM PCA Spray
1.5 GPM Max Laminar Antimicrobial
2.2 GPM Max Aerator

