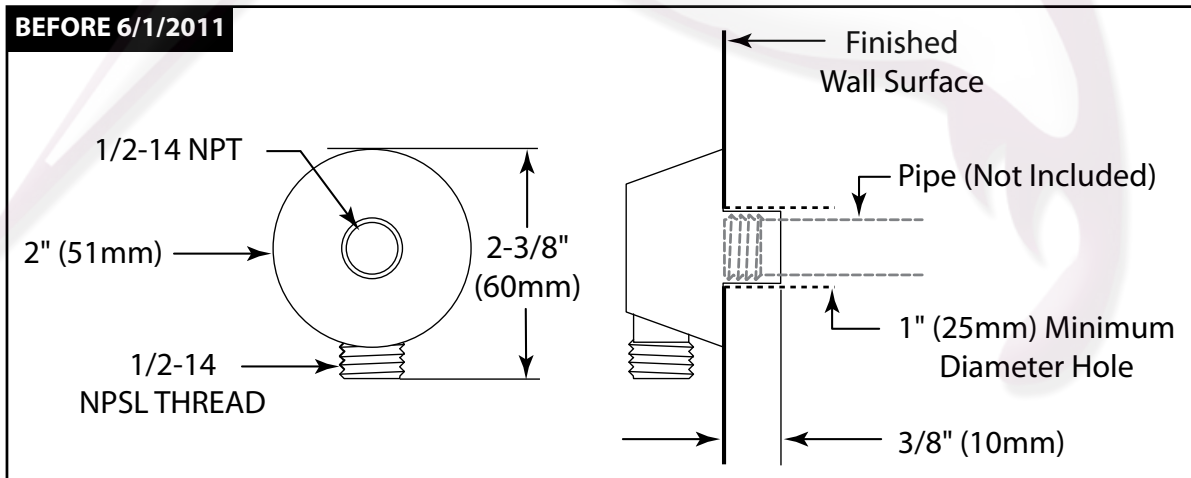
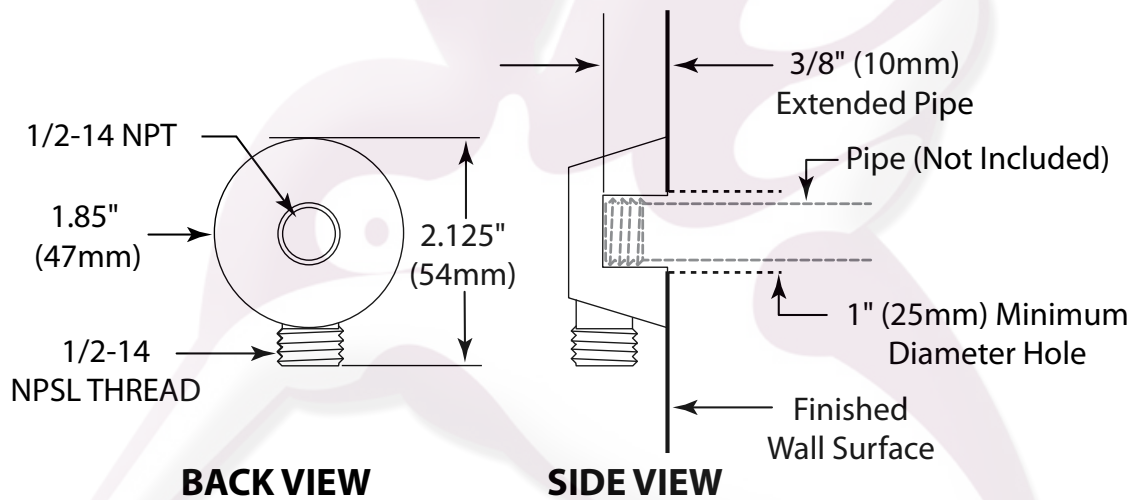


DESCRIPTION

- Metal construction with various finishes identified by suffix

WARRANTY

- Warranted for one year against material or manufacturing defects


DROP ELL
Models: A725 series

CRITICAL DIMENSIONS

(DO NOT SCALE)