

Kingsley® Technical Specification

Towel Ring

YB5486

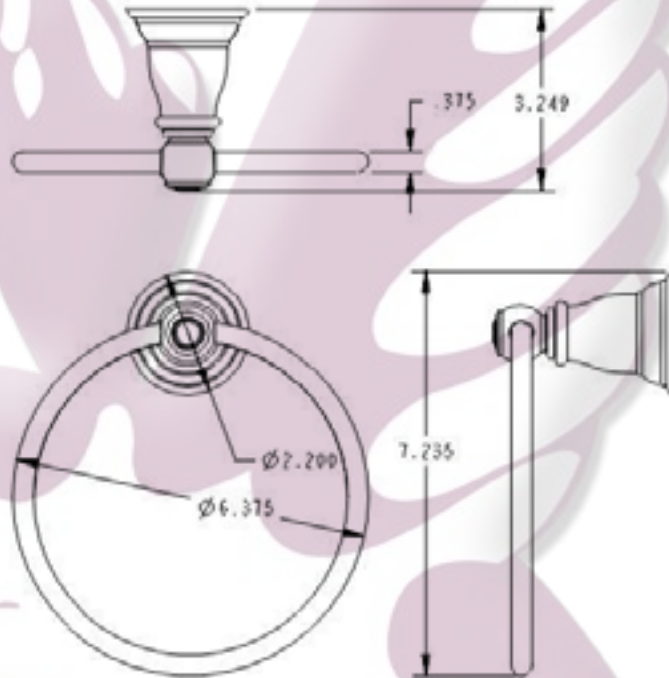
Stock Numbers:

- ❑ **YB5486AN – Towel Ring**
Antique Nickel Finish
- ❑ **YB5486AZ – Towel Ring**
Antique Bronze Finish
- ❑ **YB5486BN – Towel Ring**
Brushed Nickel Finish
- ❑ **YB5486CH – Towel Ring**
Chrome Finish
- ❑ **YB5486ORB – Towel Ring**
Oil Rubbed Bronze Finish
- ❑ **YB5486PB – Towel Ring**
Polished Brass Finish
- ❑ **YB5486WR – Towel Ring**
Wrought Iron Finish

Materials:

Towel Ring post is constructed of zinc. Ring is aluminum.

Dimensions:



Installation Instructions:

1. Remove the mounting post from the body by loosening the setscrew.
2. Position the mounting post on the wall at desired location. Large slots to be right and left. Small holes to be top and bottom.
3. One at a time, place each anchor screw through the mounting post, centered in the large slot hole. Using a Phillips screwdriver, turn the anchor screw while applying pressure. Screw will self drill and tap into drywall. Do not over tighten.
4. Place assembly over the mounting post, setscrew facing down.
5. Tighten setscrew.

Cleaning Instructions:

To preserve the fine finish of this product, clean only with a soft damp cloth. Dry well. Do not use commercial or abrasive cleaners.

Stock Number: _____ Towel Ring
By Creative Specialties

