

## DESCRIPTION

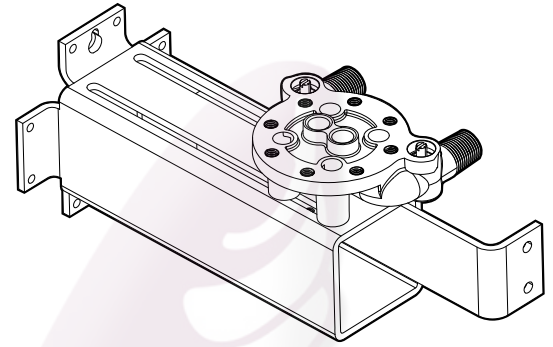
- Metal construction
- 1/2" CC/MNPT type connections with ¼ turn stops
- Includes mounting bracket and manifold

## OPERATION

- Expandable mounting bracket for joists between 12" and 24" apart

## WARRANTY

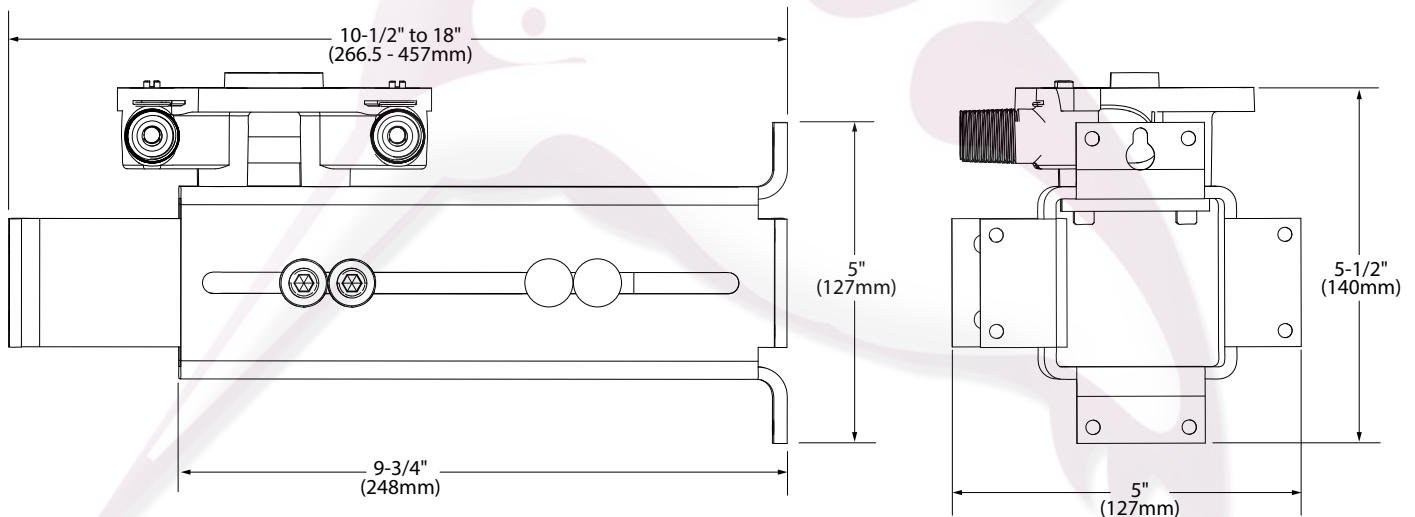
- Lifetime limited warranty against leaks, drips and finish defects to the original consumer purchaser
- 5 year warranty if used in commercial installations



## M-PACT™ Single Riser Floor Mount Tub Filler Rough-In

Model: TS50100

For use with S93005 series



## CRITICAL DIMENSIONS

(DO NOT SCALE)