

**DESCRIPTION**

- Chrome plated metal construction
- Pressure balancing valve design with integral check stops
- Supplied with adjustable temperature limit stop

**OPERATION**

- Pivot action lever style handle
- Temperature operates through an 180° arc of handle travel (full cold to full hot)
- Pressure balancing mechanism maintains selected discharge temperature to  $\pm 2^\circ$ .

**CARTRIDGE**

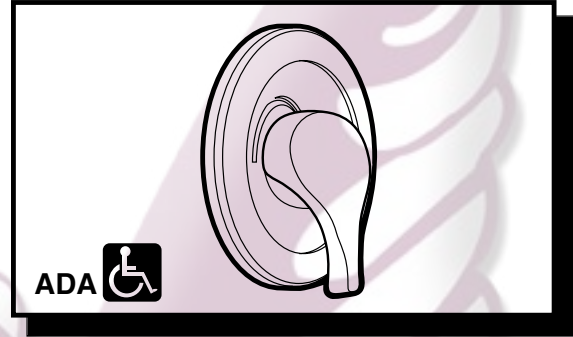
- 1225 cartridge design
- Nonmetallic/nonferrous and stainless steel materials
- Accommodates back to back installations

**STANDARDS**

- Third party certified by CSA to meet CSA B-125, ASME A112.18.1M and all applicable requirements referenced therein and complies with the applicable requirements of ANSI A117.1

**WARRANTY**

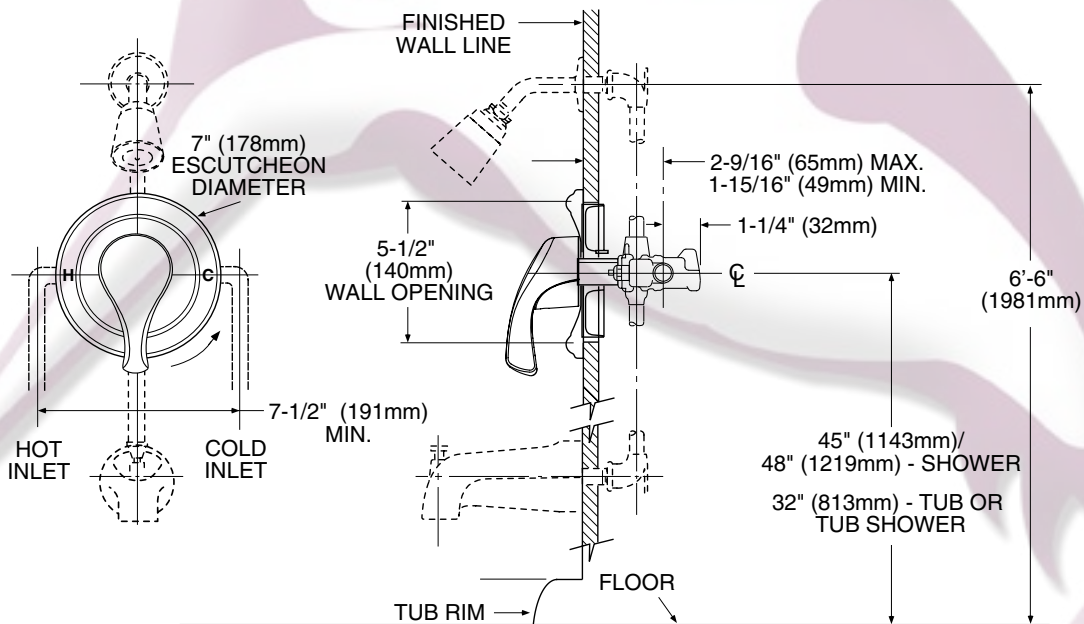
- Lifetime limited warranty against leaks, drips and finish defects to the original consumer purchaser
- 5 year warranty if used in commercial installations



**LEGEND® MOENTROL®  
Single-Handle Tub/Shower Trim Kit**

**Model: TL170  
(Bulk packed 12 per carton)**

**NOTE: See reverse side for  
illustrated parts**



**CRITICAL DIMENSIONS**

(DO NOT SCALE)



ADA symbol applies to shower valve control only.



Tels. (81) 8375.0992-93 con 6 líneas

www.colibrimty.com info@colibrimty.com



@colibrimty