

**DESCRIPTION**

- Metal construction with various finishes identified by suffix
- Designed to be installed through 2, 1-1/4" and 1, 1" min. dia holes 8" on center
- 1/2" copper connections
- Adaptable for non-8" centers

**OPERATION**

- Maximum handle rotation angle is 90° to full on for either handle
- Rotate hot side counterclockwise to open and clockwise to close
- Rotate cold side clockwise to open and counterclockwise to close

**FLOW**


- Flow is limited to 1.5 gpm max (5.7L/min) at 60 psi, for products made before October 2008 flow is limited to 2.2 gpm max (8.3 L/min)

**CARTRIDGE**

- 1224 cartridge design nonmetallic/nonferrous and stainless steel material

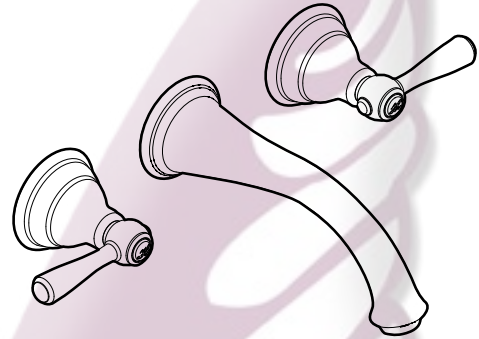
**STANDARDS**

**When trim kit is added to M-Pact valve, the product is:**

- Third party certified to WaterSense®, ASME A112.18.1/CSA B125.1, and all applicable requirements referenced therein including NSF61/9
- Contains no more than 0.25% weighted average lead content
- Complies with California Proposition 65 and with the Federal Safe Drinking Water Act
- ADA  for lever handles

**WARRANTY**

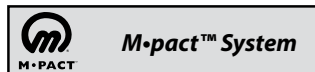
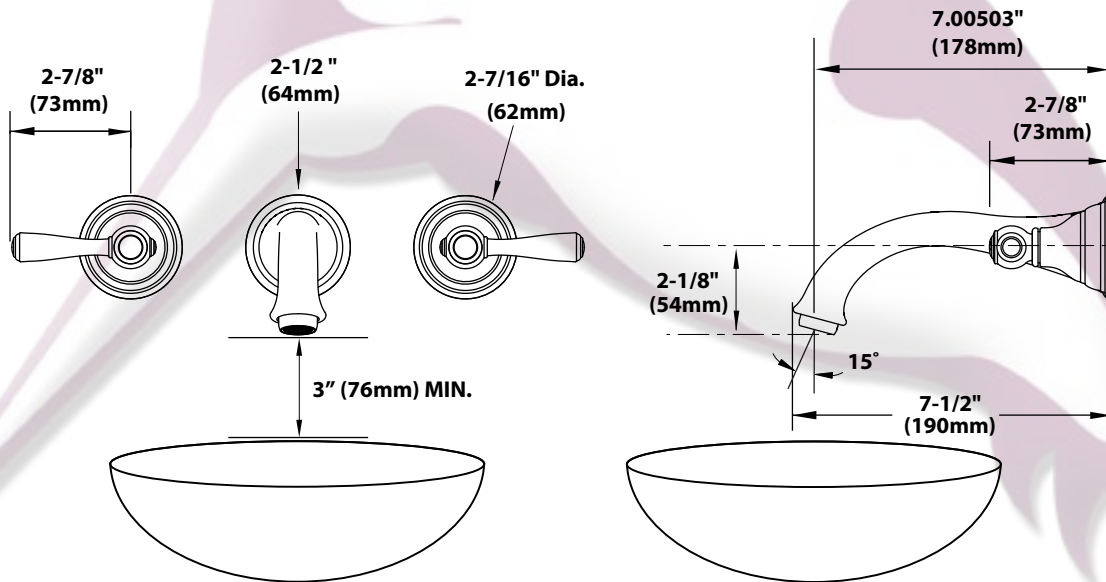
- Lifetime limited warranty against leaks, drips and finish defects to the original consumer purchaser
- 5 year warranty if used in commercial installations



**KINGSLEY™**  
**Two-Handle Wall Mount Faucet**

**Models:** T6107 series

**Valve:** 9400



**CRITICAL DIMENSIONS**

(DO NOT SCALE)

