

**FAUCET DESCRIPTION**

- Metal construction with chrome plated, antique nickel, oil rubbed bronze, wrought iron, LifeShine® brushed nickel or antique bronze finishes
- Includes showerhead, arm and flange

**OPERATION**

- Lever style handle with temperature indicator on the escutcheon, pull-on/push-off operation
- Temperature operates through an 180° arc of handle travel (full cold to full hot)
- Adjustable temperature limit stop to control maximum hot water temperature
- Pressure balancing mechanism maintains selected discharge temperature to ± 2°

**FLOW**

- Showerhead limited to 2.5 gpm (9.5 L/min)

**CARTRIDGE**

- 1225 cartridge design
- Nonmetallic/nonferrous and stainless steel materials
- Accommodates back to back installations

**STANDARDS**

- Third party certified to ASME A112.18.1/CSA B-125.1, ICC A117.1 and all applicable requirements referenced therein

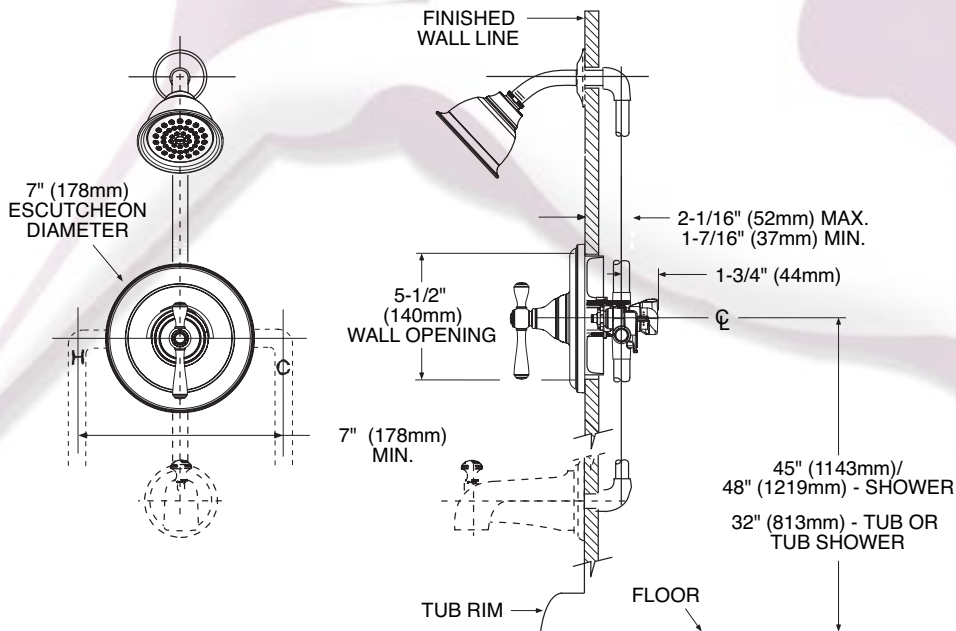
**WARRANTY**

- Lifetime limited warranty against leaks, drips and finish defects to the original consumer purchaser
- 5 year warranty if used in commercial installations



**KINGSLEY™ MOENTROL®  
Single-Handle Shower Trim Only**

**Models:** T3112, T3112BN, T3112WR, T3112AN, T3112ORB, T3112AZ



**CRITICAL DIMENSIONS**

(DO NOT SCALE)

