

*There is more than 1 version of this model.
Page down to identify the version you have.*

DESCRIPTION

- Metal construction with chrome plated finish
- 2 piece clamshell design for easy installation & maintenance
- Transitional style
- Single mount
- Vandal resistant aerator
- Flexible stainless steel supply lines

OPERATION

- "Touch free" operation for improved hygiene
- Adjustable sensor activation distance from 3" to 12" (default 5-1/2")
- Vandal Mode: 30 second time-out feature
- Maintenance / Cleaning Mode: Allows for a 30 second deactivation for maintenance or cleaning
- Sentinel Flow: Eliminates stagnant water supply lines every 24 hours (factory setting = off)
- Metering Mode Feature: Adjustable run time from 10 to 180 seconds (factory setting = off)
- Battery 4(AA) or AC powered
 - For AC connection: Transformer 104630 required for up to 8 devices
- Battery level indicator with low battery warning light
- Battery life: Up to 8 years*
- Built-in mixing-manual on/off handle (8554/8554AC models)
- In-line filters included

FLOW

- 0.5 gpm (1.9 L/min) vandal-resistant multi-stream laminar flow

STANDARDS

- Third party certified to meet ASME A112.18.1/CSA B-125.1, and all applicable requirements referenced therein including NSF 61/9 & 372
- Complies with California Proposition 65 and with the Federal Safe Drinking Water Act
- ADA compliant
- Meets the current requirements of the Buy American Act (BAA)

WARRANTY

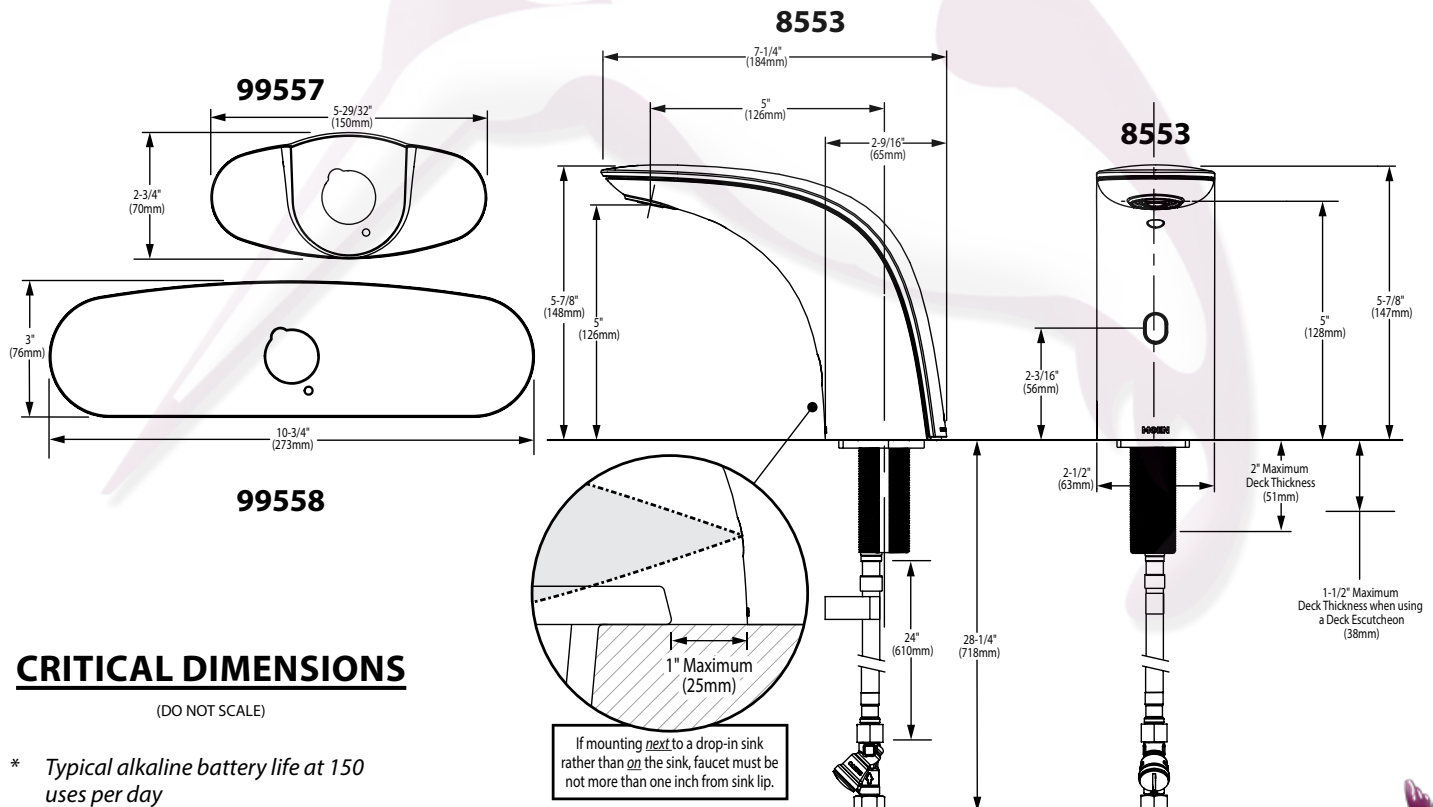
- Warranted for 5 years against material or manufacturer defects



M•Power™ Electronic Faucet Above-Deck Transitional Style

Model: 8553, 8553AC (non-mixing)

NOTE: DESIGNED TO BE INSTALLED
THROUGH ONE HOLE 1-1/4" MIN. DIA.
(see the following page for model 8553AC)

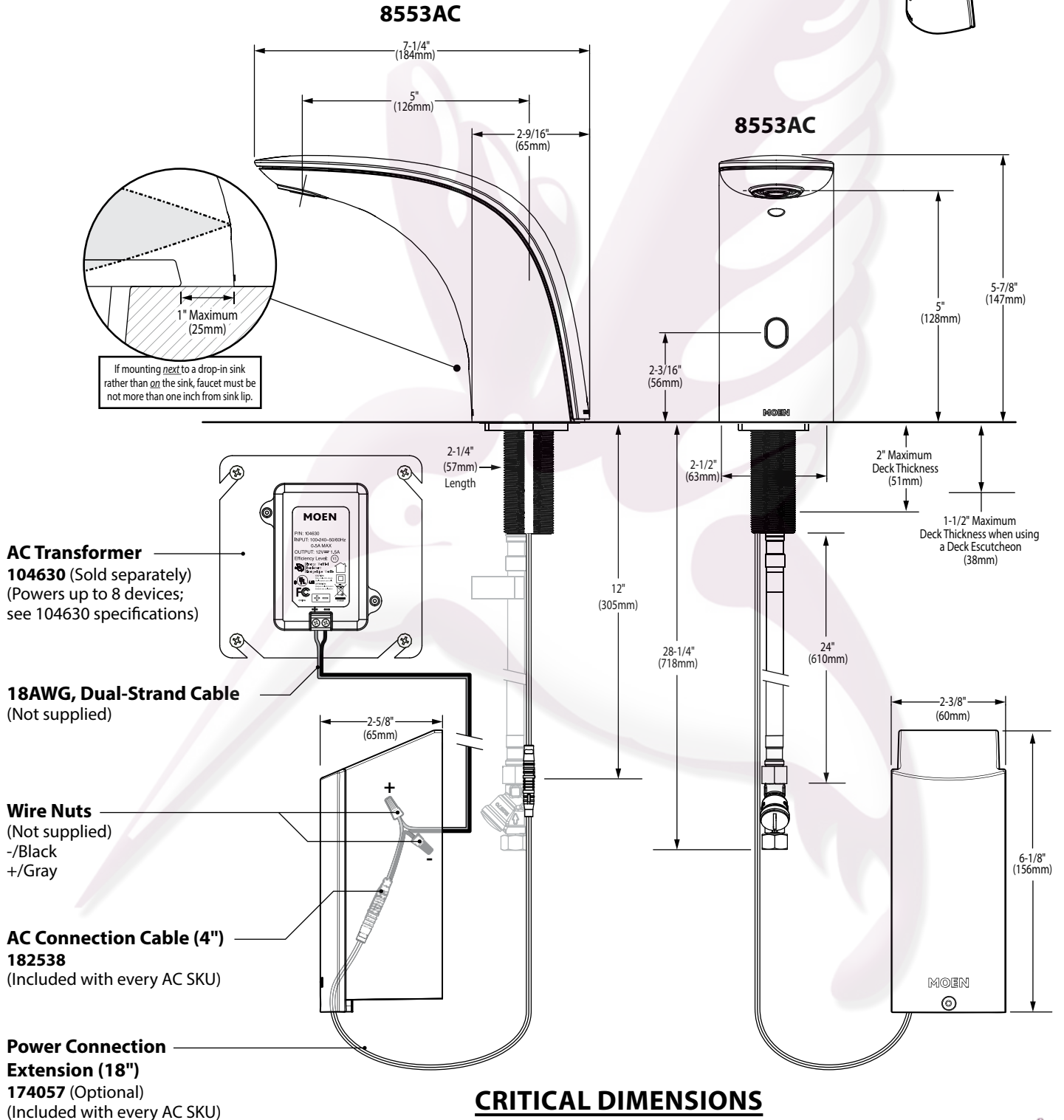


CRITICAL DIMENSIONS

(DO NOT SCALE)

* Typical alkaline battery life at 150 uses per day

There is more than 1 version of this model.
Page down to identify the version you have.



Models prior to September, 2017

DESCRIPTION

- Metal construction with chrome plated finish
- 2 piece clamshell design for easy installation & maintenance
- Transitional style
- Single mount
- Vandal resistant aerator
- Flexible stainless steel supply lines

OPERATION

- Adjustable sensor activation distance
- Vandal Mode: 30 second time-out feature
- Sentinel Flow: Eliminates stagnant water in supply lines every 24 hours (factory settings – off)
- Maintenance / Cleaning Mode: Allows for a 30 second deactivation for maintenance or cleaning
- Battery 4(AA) or AC powered
- Low battery indicator light
- Battery life: Up to 6 years or 350,000 cycles*
- Built-in mixing-manual on/off handle (8554/8554 AC models)
- In-line filters included

FLOW

- 0.5 gpm (1.9 L/min) vandal-resistant multi-stream laminar flow

STANDARDS

- Third party certified to meet ASME A112.18.1/CSA B-125.1, and all applicable requirements referenced therein
- Complies with California Proposition 65 and with the Federal Safe Drinking Water Act
- ADA compliant

WARRANTY

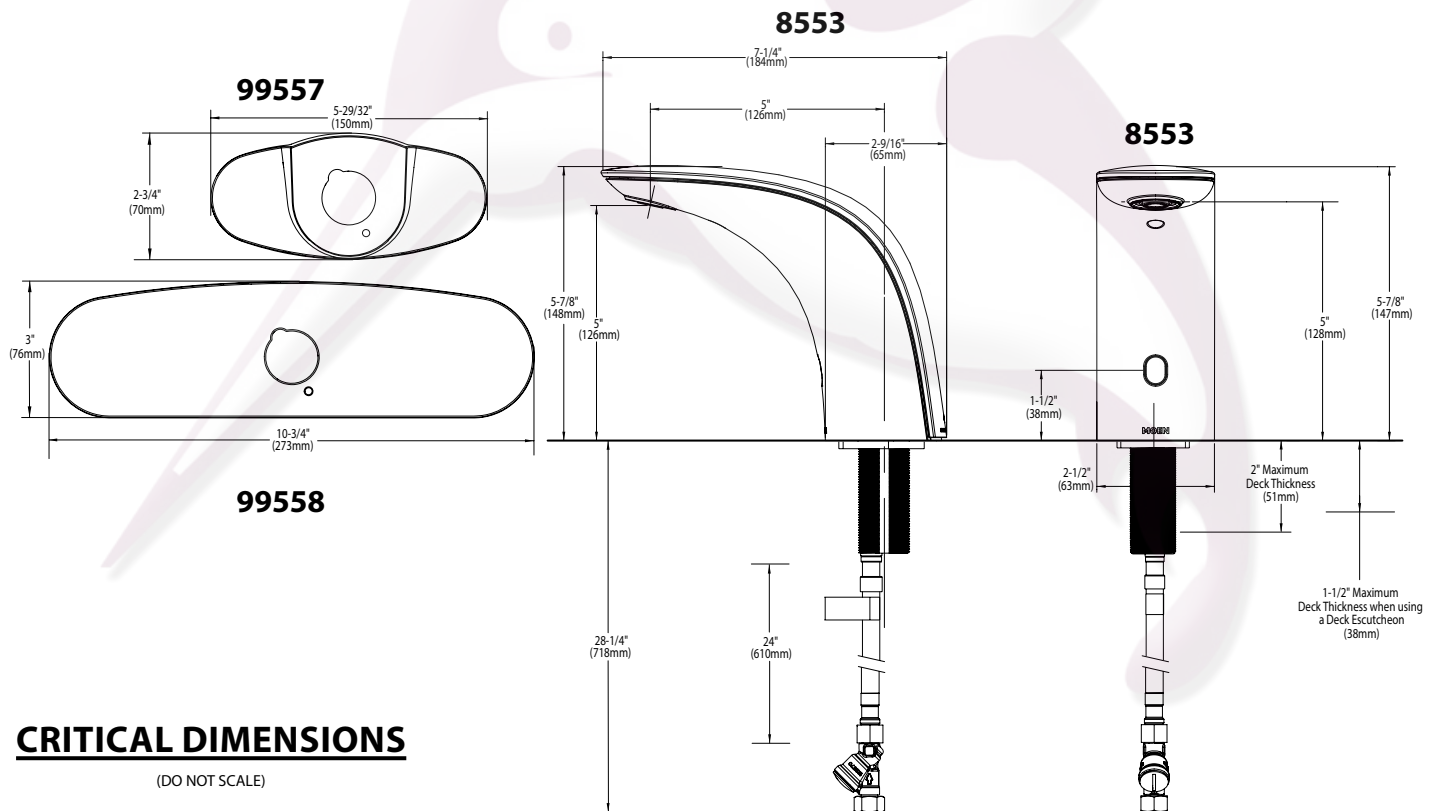
- Warranted for 5 years against material or manufacturer defects



M-Power™ Electronic Faucet Above-Deck Transitional Style

Model: 8553, 8553AC (non-mixing)

NOTE: DESIGNED TO BE INSTALLED
THROUGH ONE HOLE 1-1/4" MIN. DIA.
(see the following page for model 8553AC)



* Typical alkaline battery life at 150 uses per day

Models prior to September, 2017

