

DESCRIPTION

- Two-handle shower faucet with chrome plated finish
- Includes individual hot & cold valves, showerhead, arm, & flange
- 2-port valve body connections are G1/2"

OPERATION

- Cold handle rotates clockwise 90° to full open (counterclockwise to close)
- Hot handle rotates counterclockwise 90° to full open (clockwise to close)

FLOW

- Showerhead flow is limited to 1.75 gpm (6.7 L/min)

CARTRIDGE

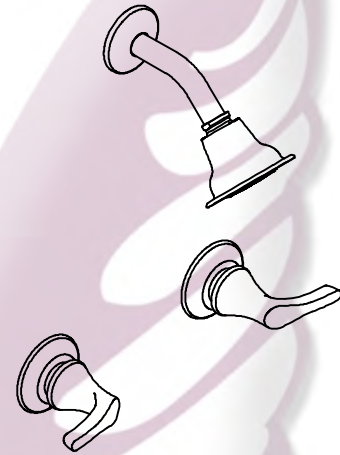
- 1224 (high-flow) cartridge design
- Nonmetallic & stainless steel materials

STANDARD

- Designed to meet GB standards

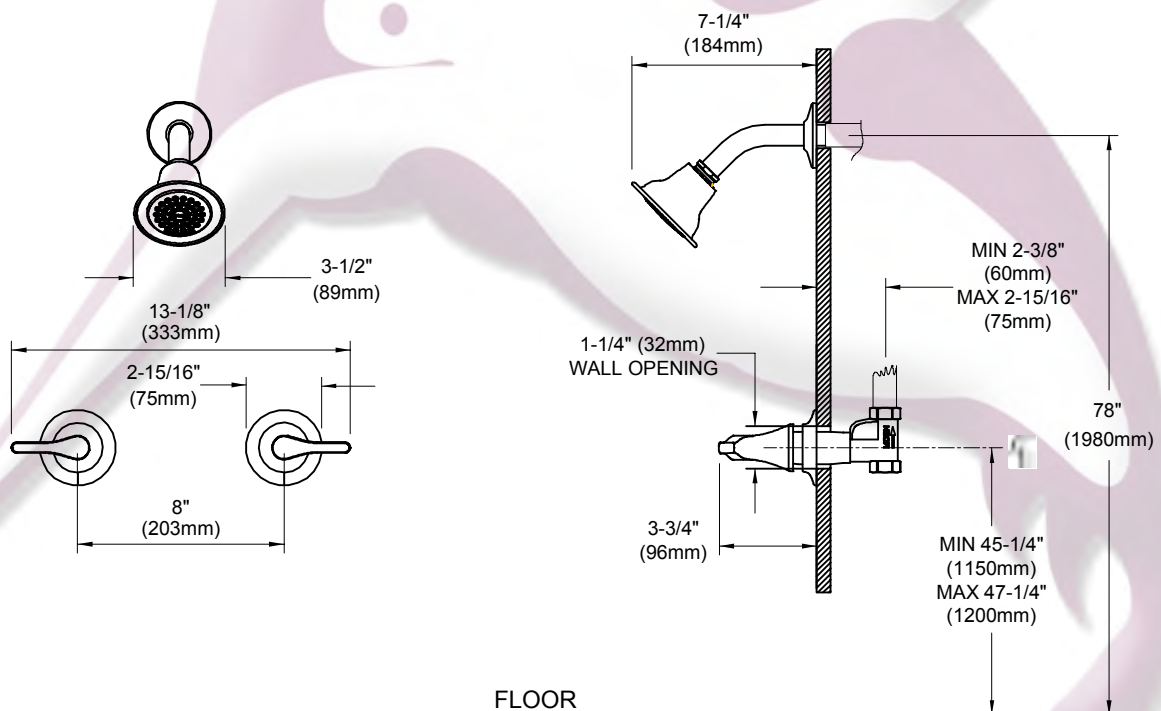
WARRANTY

- Lifetime limited warranty against leaks, drips, and finish defects to the original consumer purchaser
- 5 year warranty if used in commercial installations



DANIKA™
Two-Handle Shower Faucet

Model: 68893, 88893



CRITICAL DIMENSIONS

(DO NOT SCALE)

