

**DESCRIPTION**

- Metal construction with a chrome plated finish
- Flexible supply lines with 3/8" compression fittings

**OPERATION**

- Lever style handle
- Temperature controlled by 100° arc of handle travel

**FLOW**

- Flow is limited to 1.5 gpm (5.7 L/min) at 60 psi

**CARTRIDGE**

- 1255™ Duralast™ cartridge for single-handle faucets

**STANDARDS**

- Third party certified to ASME A112.18.1, CSA B125.1, ANSI/NSF 61/9, and all applicable requirements referenced therein
- Contains no more than 0.25% weighted average lead content
- Complies with California Proposition 65 and with the Federal Safe Drinking Water Act
- Third party certified to comply with WaterSense® high Efficiency Bathroom Sink Faucet Specification
- ADA ♿ for lever handle

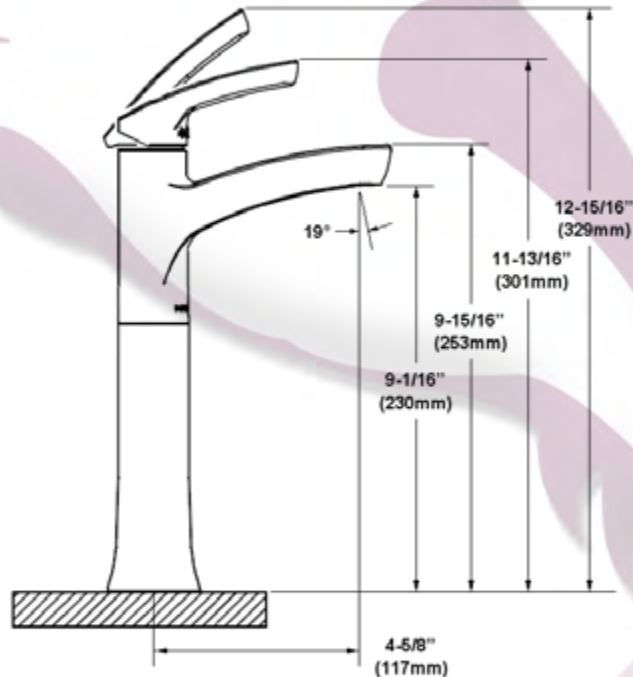
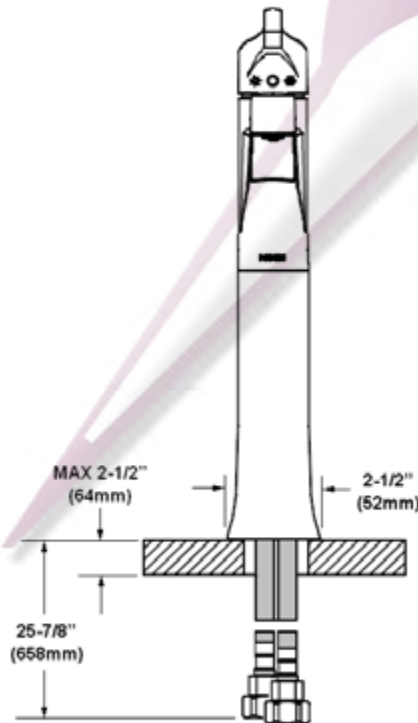
**WARRANTY**

- Lifetime limited warranty against leaks, drips, and finish defects to the original consumer purchaser
- 5 year warranty if used in commercial installations



**Danika™**  
**Single-Handle Vessel Lavatory Faucet**  
**Model:** 64753, L84753

**Note:** THIS FAUCET IS DESIGNED TO BE INSTALLED THRU 1 HOLE, 1-1/8" MIN. DIA.



**CRITICAL DIMENSIONS**

(DO NOT SCALE)

