

## DESCRIPTION

- Metal construction with a chrome plated finish
- 1/2" IPS connections, will accept standard ball nose connection for 3/8" tubing

## OPERATION

- Lever style handles
- Max. handle rotation angle is 90 to full on
- Rotate hot side counterclockwise to open, clockwise to close
- Rotate cold side clockwise to open, counterclockwise to close


## FLOW

- Aerator is limited to 1.5 gpm max (5.7 L/min) at 60 psi

## CARTRIDGE

- 1224 cartridge design
- Nonmetallic & stainless steel material

## STANDARDS

- Third party certified to ASME A112.18.1, CSA B125.1, ANSI/NSF 61/9, and all applicable requirements referenced therein
- Complies with California Proposition 65 and with the Federal Safe Drinking Water Act
- ADA  for lever handle

## WARRANTY

- Lifetime limited warranty against leaks, drips, and finish defects to the original consumer purchaser
- 5 year warranty if used in commercial installations

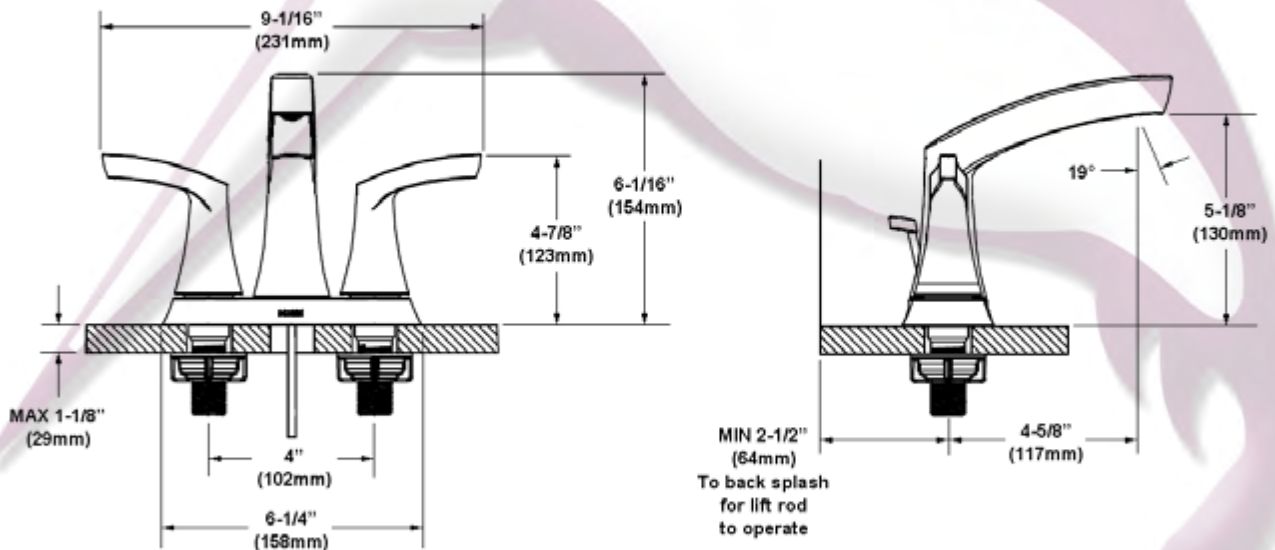


**Danika™**

**Two-Handle Lavatory Faucet**

**Model:** 64633, 84633

**Note:** THIS FAUCET IS DESIGNED TO BE INSTALLED THRU 3 HOLES, 1" (25mm) MIN. DIA.



## CRITICAL DIMENSIONS

(DO NOT SCALE)

