

**DESCRIPTION**

- Metal construction
- Installs on 10"(254mm) centers minimum
- Designed to be installed on rough decks up to 3 3/8" (86mm)
- Accommodates 1-1/4" (32mm) additional finish deck
- 1/2" CC inlets and outlets
- No cut adjustable spout shank
- Includes test plug
- Includes spout shank tool

**OPERATION**

- Can be installed with any Moen deck mounted Roman tub trim kit
- Rotate hot side handle counterclockwise to open (clockwise to close) and the cold side handle clockwise to open (counterclockwise to close)

**FLOW**

- Designed to deliver 16 gpm at 45 psi. (60L/min)

**CARTRIDGE**

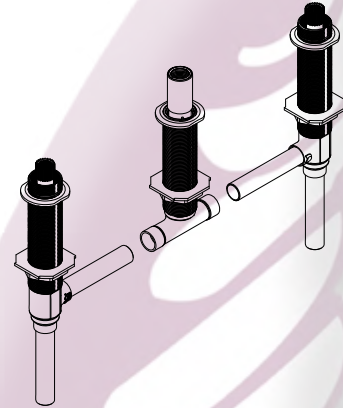
- Nonmetallic and stainless steel materials

**STANDARDS**

- Designed and manufactured to comply with the applicable requirements of: ASME A112.18.1/CSA B-125.1 and all applicable requirements referenced therein

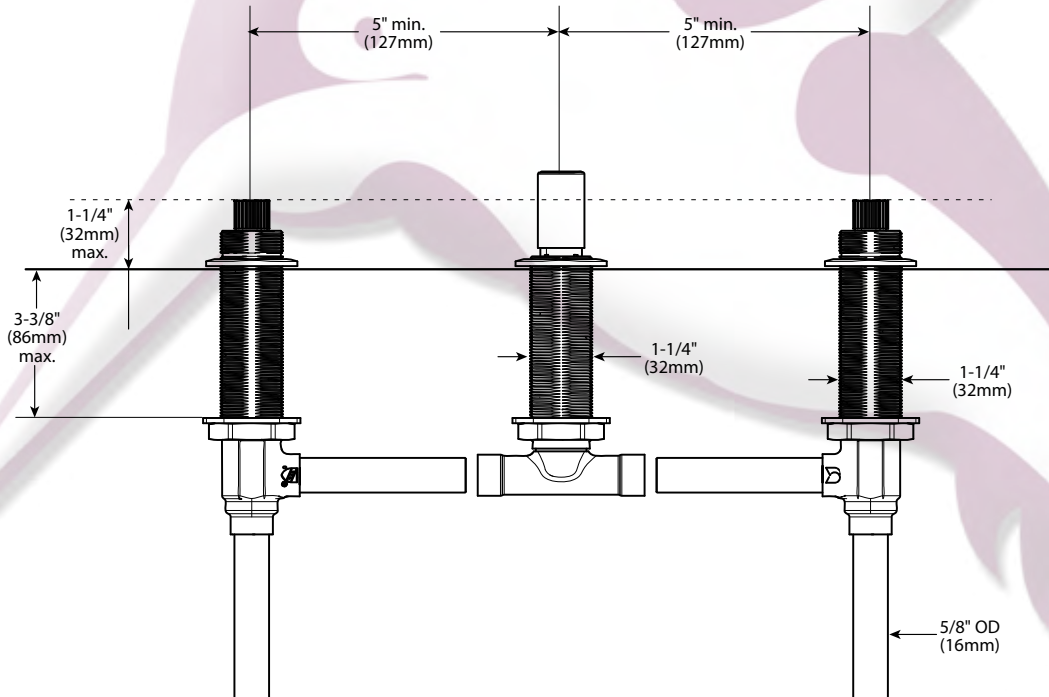
**WARRANTY**

- Lifetime limited warranty against leaks, drips and finish defects to the original consumer purchaser
- 5 year warranty if used in commercial installations



**Adjustable Roman Tub Valve  
(104465 Thermostatic mixing  
valve sold separately)**

**Model: 4792**



**CRITICAL DIMENSIONS**

(DO NOT SCALE)



Tels. (81) 8375.0992-93 con 6 líneas

www.colibrimty.com info@colibrimty.com    @colibrimty