

DESCRIPTION

- Available in various finishes identified by suffix

OPERATION

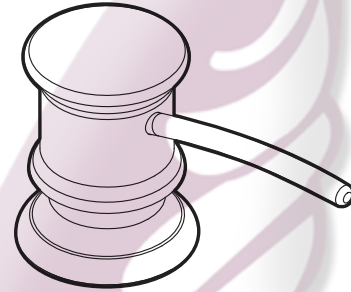
- Press down, pump action

STANDARDS

- Designed and manufactured to comply with the requirements of: CSA B15.1 and ASME A112.18.1 and all requirements referenced therein

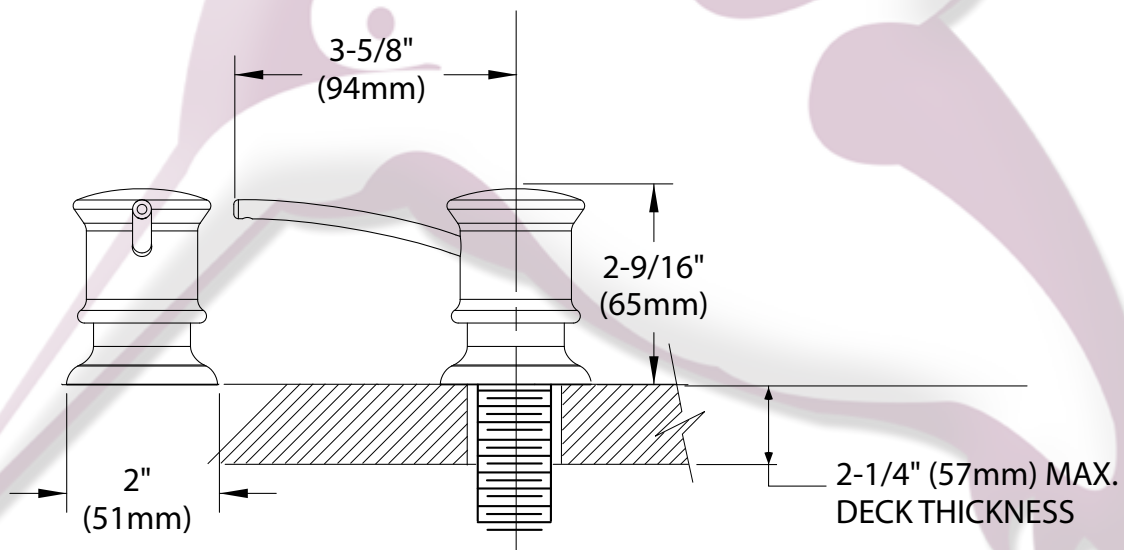
WARRANTY

- Lifetime limited warranty against manufacturing and finish defects to the original consumer purchaser
- 5 year warranty if used in commercial installations



LIQUID DISPENSER

Model: 3944 series



NOTE: DESIGNED TO BE INSTALLED THROUGH 1 HOLE 1-1/8" DIAMETER

CRITICAL DIMENSIONS

(DO NOT SCALE)

