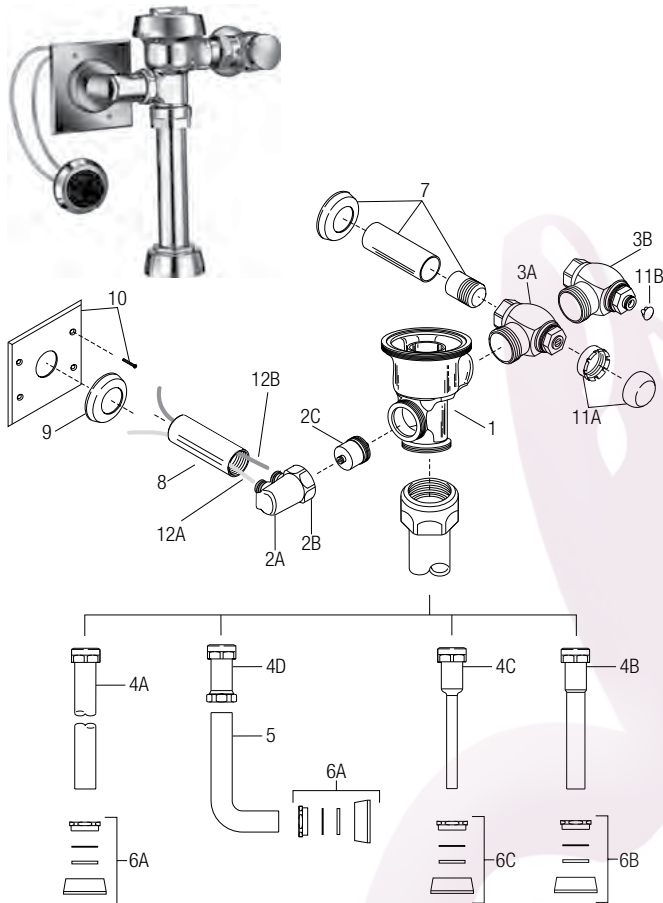


Series 900® Flushometer



PARTS LIST FOR SERIES 900® EXPOSED FLUSHOMETER

Item	No.	Code No.	Part No.	Description
1.	0301048	A-143-A		Valve Body
2A.	0318065PK	HY-65		Valve Actuator Housing
2B.	0301082PK	A-6		Housing Nut
2C.	3318001PK	HY-83-A		Actuator Cartridge Assembly
3A.	3308386	H-700-A		Bak-Chek® Control Stop (Royal Valves) for 1" 3308384 for ¾"
3B.	0388065	H-790-A		Bak-Chek® Control Stop (Regal XL Valves) for 1" 0388064 for ¾"
4A.	3893004	V-600-AA		1½" (38 mm) Vacuum Breaker Assembly
4B.	3393006	V-600-AA		1¼" (32 mm) Vacuum Breaker Assembly
4C.	3393004	V-600-AA		¾" (19 mm) Vacuum Breaker Assembly
4D.	0393003	V-600-A		Vacuum Breaker
5.	0396293	F-109		1½" (38 mm) Elbow Flush Connection
6A.	0306146	F-5-AT		1-1/2" (38 mm) Spud Coupling Assembly (Royal Valves)
	0306145	F-56-A		1½" (38 mm) Spud Coupling Assembly (Regal XL Valves)
6B.	0306140	F-5-AU		1¼" (32 mm) Spud Coupling Assembly (Royal Valves)
	0306142	F-55-A		1¼" (32 mm) Spud Coupling Assembly (Regal XL Valves)
6C.	0306125	F-5-AW		¾" (19 mm) Spud Coupling Assembly (Royal Valves)
	0306102	F-54-A		¾" (19 mm) Spud Coupling Assembly (Regal XL Valves)
7.	3308782	H-633-AA		1" (25 mm) Sweat Solder Kit & Cast Wall Flange w/ Set Screw
	3308788	H-636-AA		¾" (19 mm) Sweat Solder Kit & Cast Wall Flange w/ Set Screw
8.	0318064PK	HY-64		6" Chrome Sleeve
9.	‡	F-7		Supply Flange
10.	3318002	HY-112-A		Plate with Screws
11A.	3308772	H-1010-A		Free Spinning Vandal Resistant Stop Cap (Royal Valves)
11B.	5388002	H-528		Vandal Resistant Hole Plug (Regal Valves)
12A.	0318221	HY-146		1/4" (6mm) x 48" (1219 mm) Yellow connecting tube
12B.	0318217	HY-145		1/4" (6mm) x 48" (1219 mm) Blue connecting tube

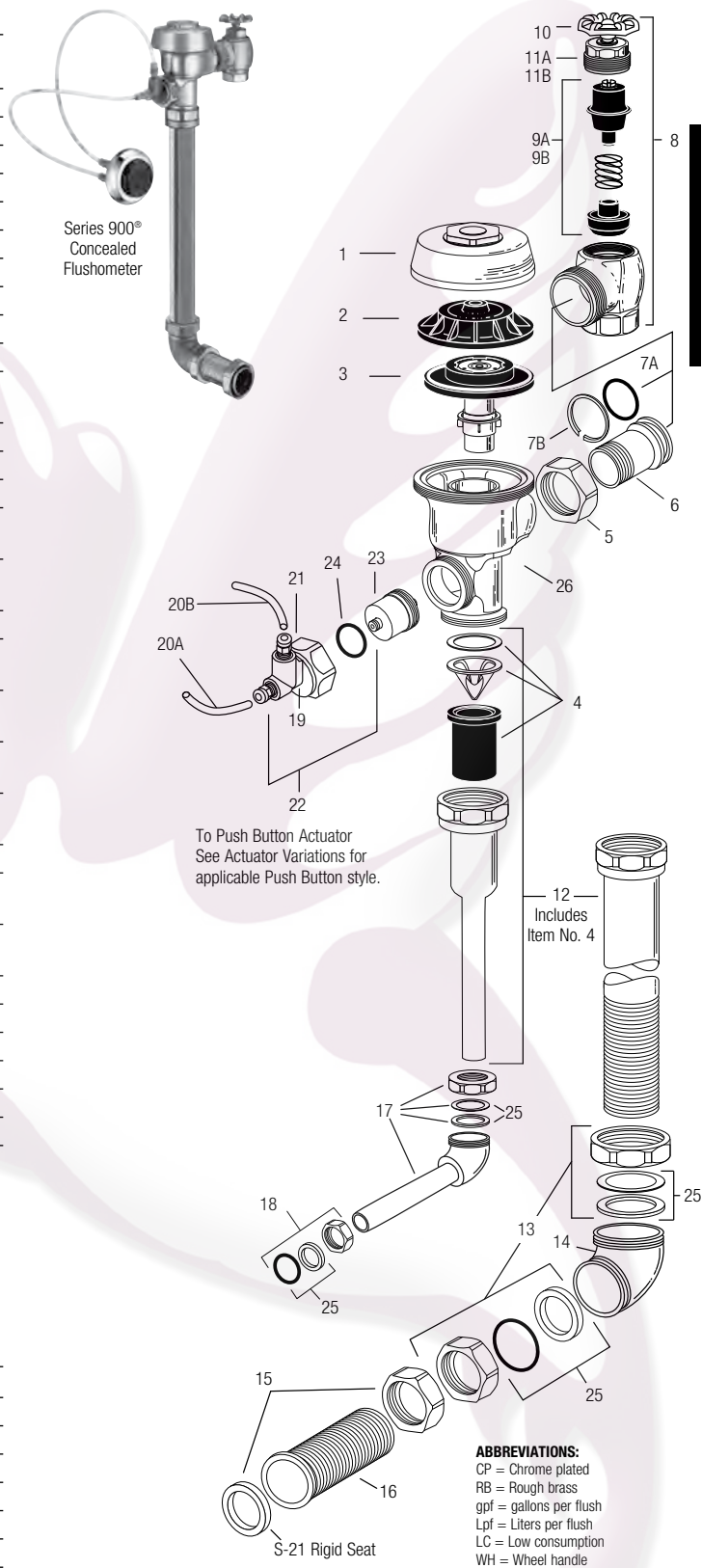
† Part number varies with valve model variation; consult factory.

‡ Length varies with valve variation; consult factory.

Series 900® Flushometer

PARTS LIST FOR SERIES 900® CONCEALED FLUSHOMETER

Item No.	Code No.	Part No.	Description
1.	0301173	A-72	RB Royal® Cover
2.	0301168	A-71	Inside Cover
3.	SEE THE INSIDE PARTS KIT CHART ON NEXT PAGE		
4.	3323182	V-651-A	Vacuum Breaker Repair Kit
5.	0308690	H-550	RB Tailpiece Coupling
6.	0308802	H-551-A	RB Adjustable Tailpiece, 2-1/16" (52 mm)
7A.	5308696	H-553	O-ring – 24 per package
7B.	5308381	H-552	Locking ring – 12 per package
8.	0388010	H-730-A	RB Wheel Handle Bak-Chek® Control Stop
9A.	3308855	H-541-A	1" Wheel Handle Repair Kit for H-730-A Control Stop
9B.	3308858	H-543-A	3/4" Wheel Handle Repair Kit for H-730-A Control Stop
10.	0308919	H-558-A	Wheel Handle
11A.	0208083	H-623	1" RB Bonnet
11B.	0208083	H-623	3/4" RB Bonnet
12.	See page 111	V-500-AA	Royal Vacuum Breaker Flush Connection (specify length and size)
13.	0306619	F-2-AA	1-1/2" (38 mm) RB Couplings (2 each), Friction Rings (2 each), and Rubber Gaskets (2 each)
14.	0206146	F-21	RB Elbow
15.	0306091	F-2-A	1-1/2" (38 mm) RB Coupling and S-21 Flat Rigid Gasket
16.	See pages 111-116	F-100	RB Flared End Flush Connection (specify length)
17.	See pages 111-116	F-15-A	3/4" (19 mm) RB Elbow Flush Connection with Coupling and Rubber Gasket (specify length)
18.	0306054	F-2-A	3/4" (19 mm) RB Coupling, Friction Ring, and Rubber Gasket
19.	0318024	HY-109	RB Valve Actuator Housing (includes fittings)
20A.	0318221	HY-146	1/4" (6 mm) x 48" (1219 mm) Yellow Connecting Tubes (2 required)
20B.	0318217	HY-145	1/4" (6 mm) x 48" (1219 mm) Blue Connecting Tubes (2 required)
21.	0301082	A-6	RB Handle Coupling Nut
22.	3318005	HY-109-A	Actuator Housing Assembly (includes items 21 & 24)
23.	3318001	HY-83-A	Actuator Cartridge Assembly
24.	0337086	DO-22	O-ring for HY-109-A Adapter
25.	SEE SLIP JOINT GASKETS AND RINGS TABLE BELOW		
26.	0301050	A143-A	RB Valve Body



ITEM 27. SLIP JOINT GASKETS AND RINGS

Size	Code No.	Part No.	Description
1-1/2"	5306058	F-3	Red Friction Ring
	5322001	VBF-5	Black Slip Joint Gasket
	0319086/5319086	S-30	Flexible Seat
	0319079	S-21	Rigid Seat (rubber over brass)
1-1/2" x 1-1/4"	0396062	F-105	Slip Joint Gasket – Rigid
1-1/4"	5306057	F-3	Red Friction Ring
	5322176	VBF-5	Black Slip Joint Gasket
	0307052/5307052	G-21	Rigid Seat (rubber over brass)
1"	5306056	F-3	Red Friction Ring
	5306115	F-5	Black Slip Joint Gasket
3/4"	5306055	F-3	Red Friction Ring
	53061	F-5	Black Slip Joint Gasket

TAILPIECES, CONTROL STOPS, PUSH BUTTONS AND FLUSH CONNECTIONS

For additional information on tailpieces, control stops, push buttons and flush connections see Showerheads, Parts and Accessories Tab.