

**DESCRIPTION**

- Brass construction
- 1/2" CC or IPS connections
- Pressure balancing, four port, cycle valve

**OPERATION**

- Adjustable temperature limit stop to control maximum hot water temperature
- Pressure balancing mechanism maintain selected discharge temperature to  $\pm 2^\circ\text{F}$

**CARTRIDGE**

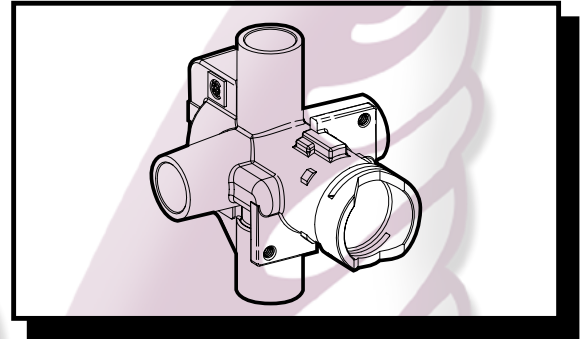
- 1222 cartridge design
- Nonmetallic/nonferrous and stainless steel materials
- Accommodates back to back installations

**STANDARDS**

- Third party certified by CSA to meet CSA B-125, ASME A112.18.1M and all applicable requirements referenced therein

**WARRANTY**

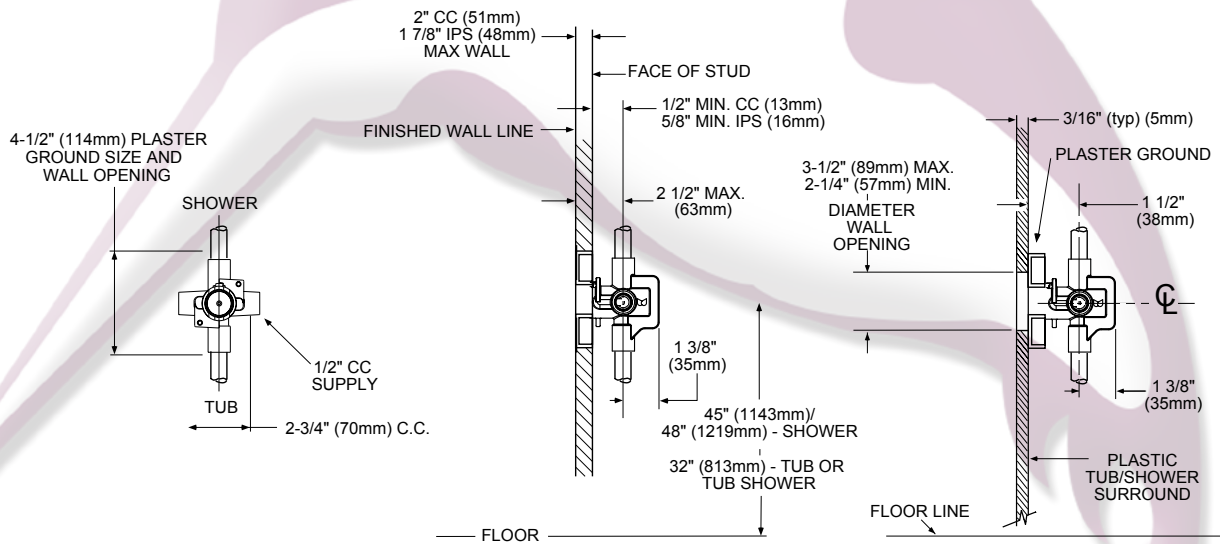
- Lifetime limited warranty against leaks, drips and finish defects to the original consumer purchaser
- 5 year warranty if used in commercial installations



**POSI-TEMP® VALVE**  
Pressure-Balancing Valve

Models: 2520 (CC), 2510 (IPS) - Single Pack  
62320 (CC), 62300 (IPS) - Bulk Packed  
(Bulk packed 12 per carton)

NOTE: See reverse side  
for illustrated parts



**CRITICAL DIMENSIONS**

(DO NOT SCALE)

